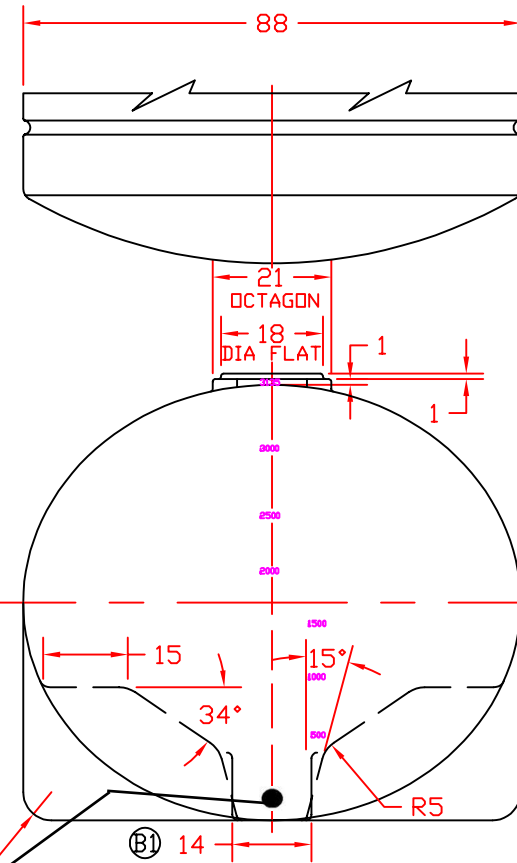
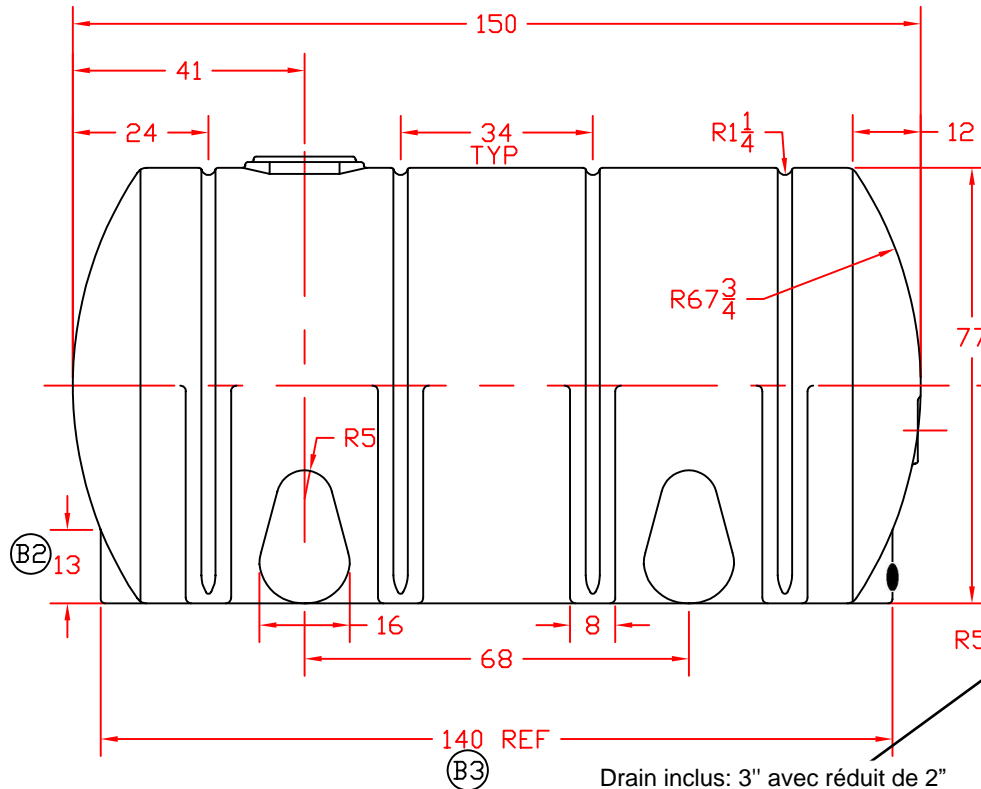
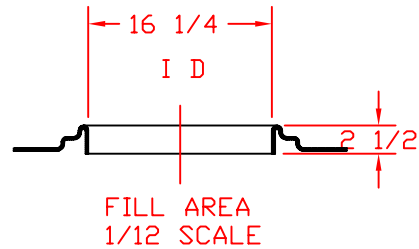


RESERVOIR HORIZONTAL AUTOPORTANT DE 3135 GALLONS US

WWW.AGRICOPLASTIQUES.COM

REVISIONS				
ZONE	REV	DESCRIPTION	DATE	APPROVED
	A	SPARGER FLAT REVSD	04JUN04	
	B	WAS ① ② 12 ③ 137 1/2	21NOV07	
	C	SPARGER FLAT REMOVED	12NOV08	



- NOTE: GALLON MARKERS ON OPPOSITE END ONLY
- 65 13/16
 - 53 29/32
 - 44 3/32
 - 34 13/16
 - 25 13/32
 - 15 3/32
 - 0

Drain inclus: 3" avec réduct de 2"
Outlet included: 3" with 2" reducer

EL40688		AGRICO PLASTIQUES 450-471-2772		
		3135 GALLON ELLIPITCAL LEG TANK		
JTP	29JUN95	SIZE B	FSCM NO.	DWG NO.
		SCALE 1/24	SHEET	
				REV A