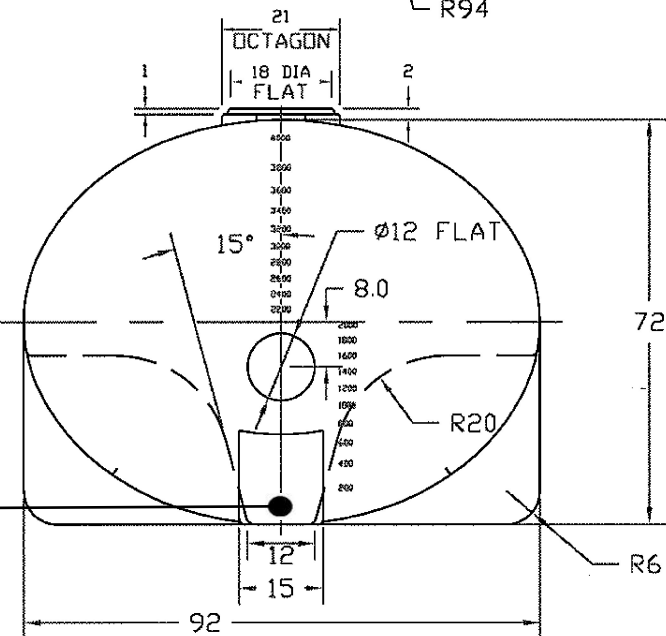
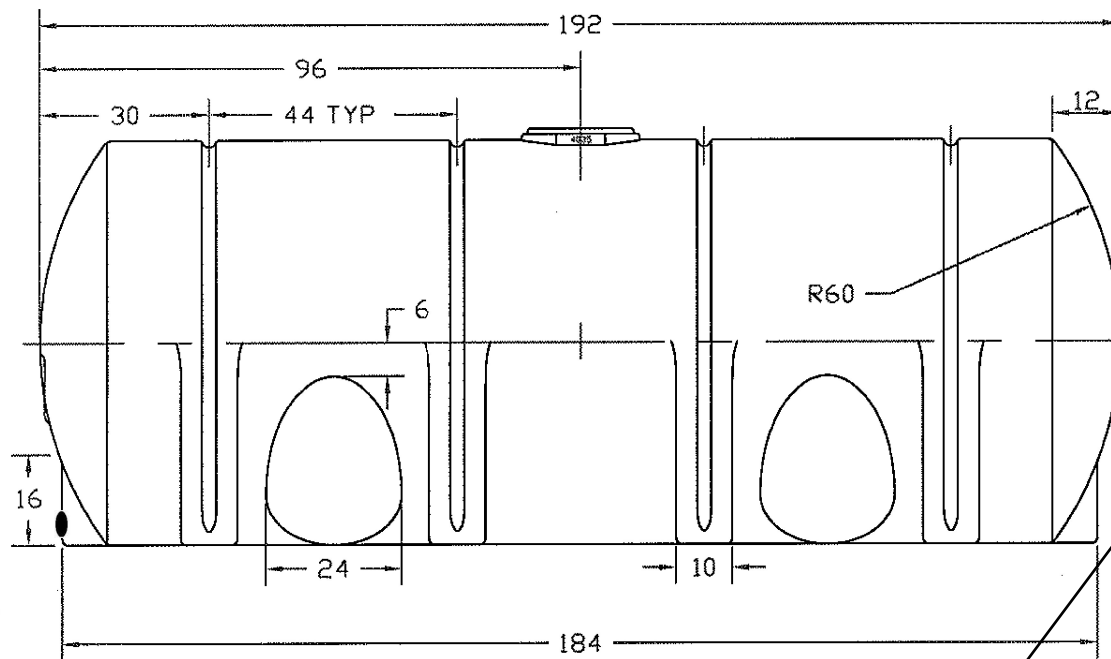
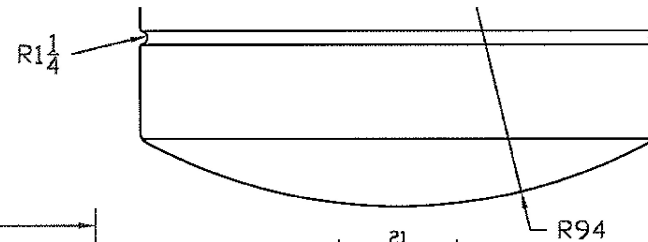
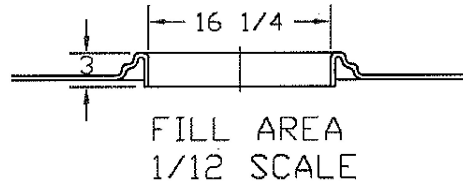


REVISIONS				
ZONE	REV	DESCRIPTION	DATE	APPROVED



Drain inclus: 3" avec réduit de 2"  
Outlet included: 3" with 2" reducer

<b>EL-41267</b>		<b>AGRICO PLASTIQUES</b> 450-471-2772		
		<b>4035 GALLON ELLIPTICAL LEG TANK</b>		
JTP	06MAY99	SIZE B	FSCM NO.	DWG NO.
SCALE 1/24		SHEET		