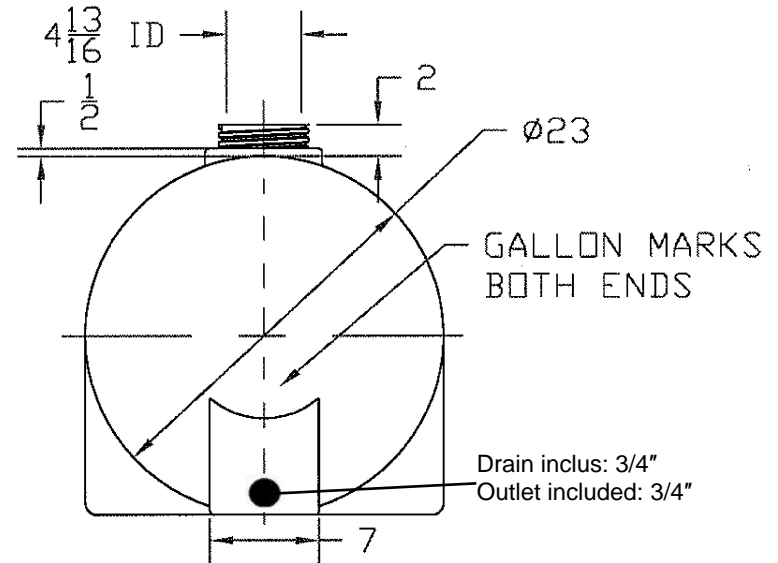
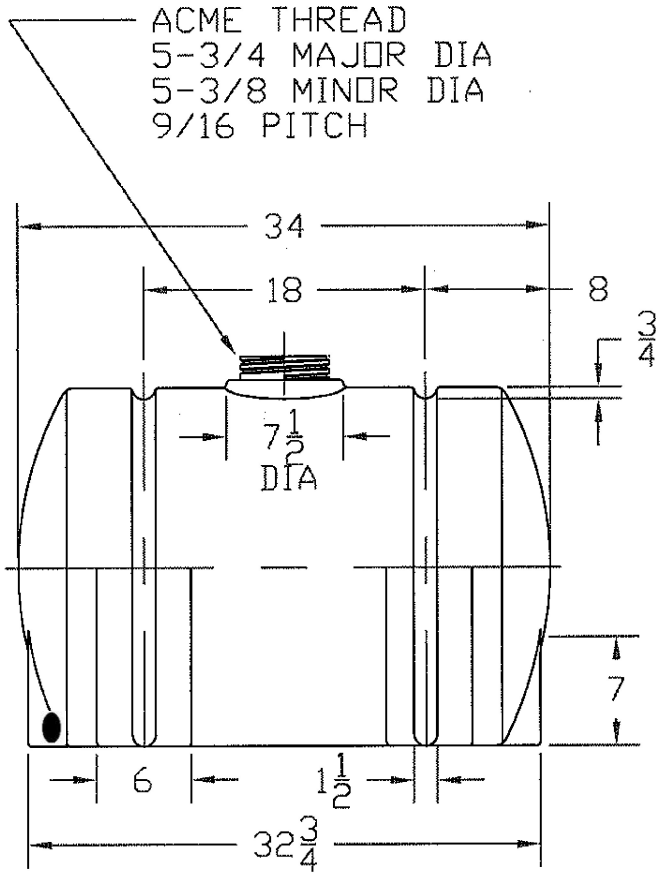


REVISIONS				
ZONE	REV	DESCRIPTION	DATE	APPROVED



HL-41873	AGRICO PLASTIQUES 450-471-2772			
	55 GALLON HORIZONTAL TANK			
JTP	25AUG03	SIZE A	FSCM NO.	DWG NO.
SCALE 1/12		SHEET		REV