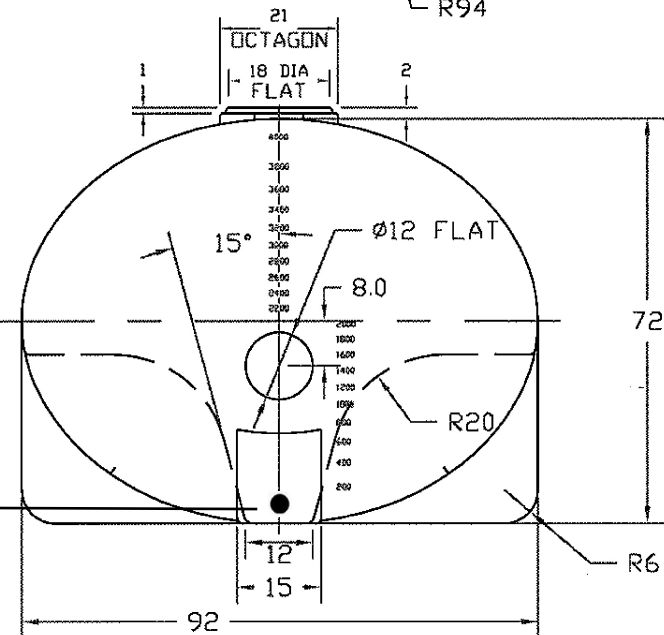
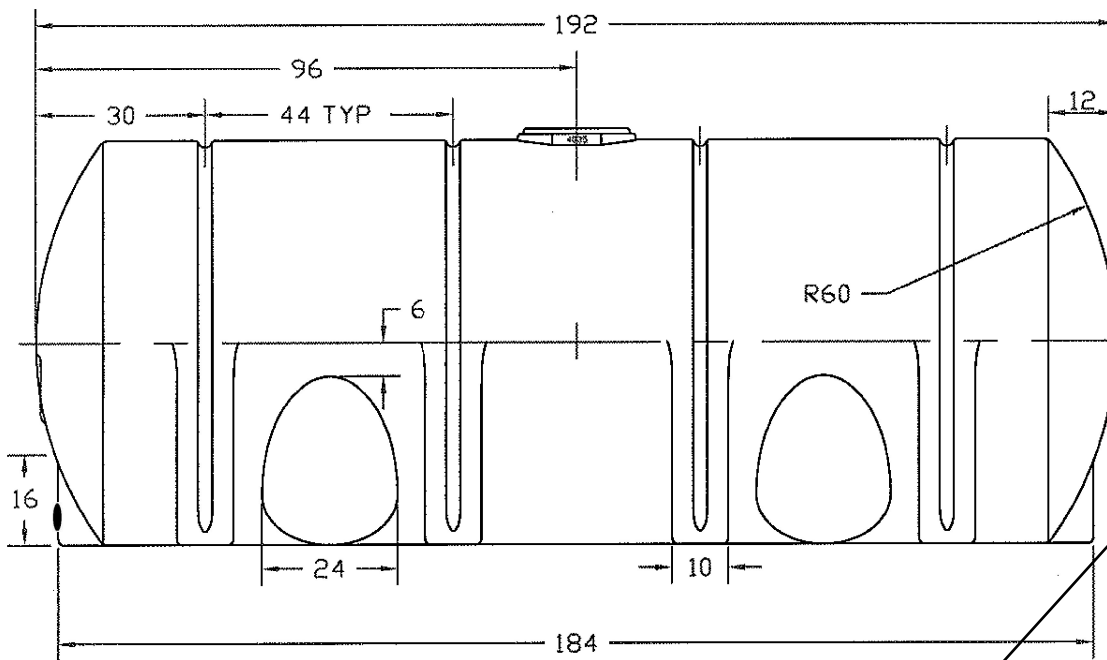
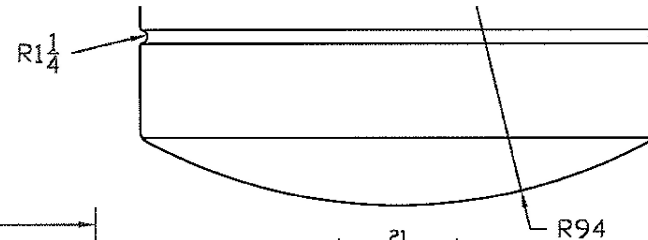
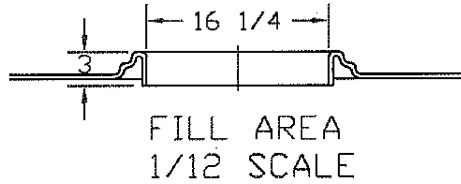


REVISIONS				
ZONE	REV	DESCRIPTION	DATE	APPROVED



- 68.8
- 63.5
- 59.5
- 55.9
- 52.7
- 49.6
- 46.7
- 43.8
- 41.0
- 38.3
- 35.5
- 32.8
- 30.0
- 27.2
- 24.2
- 21.2
- 17.9
- 14.5
- 10.8
- 6.5
- 0.0

Drain inclus: 3" avec réduct de 2"
Outlet included: 3" with 2" reducer

EL41269		AGRICO PLASTIQUES 450-471-2772		
		4035 GALLON ELLIPTICAL LEG TANK		
JTP	06MAY99	SIZE B	FSCM NO.	DWG NO.
SCALE 1/24				REV
				SHEET