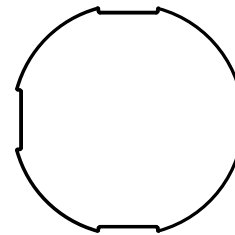
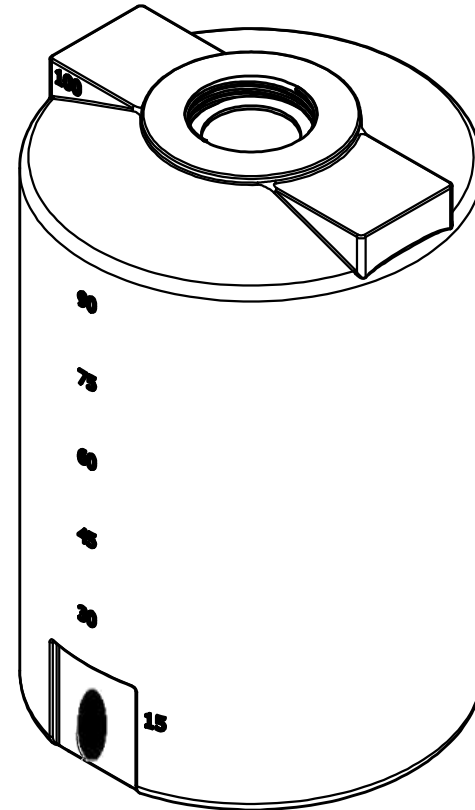
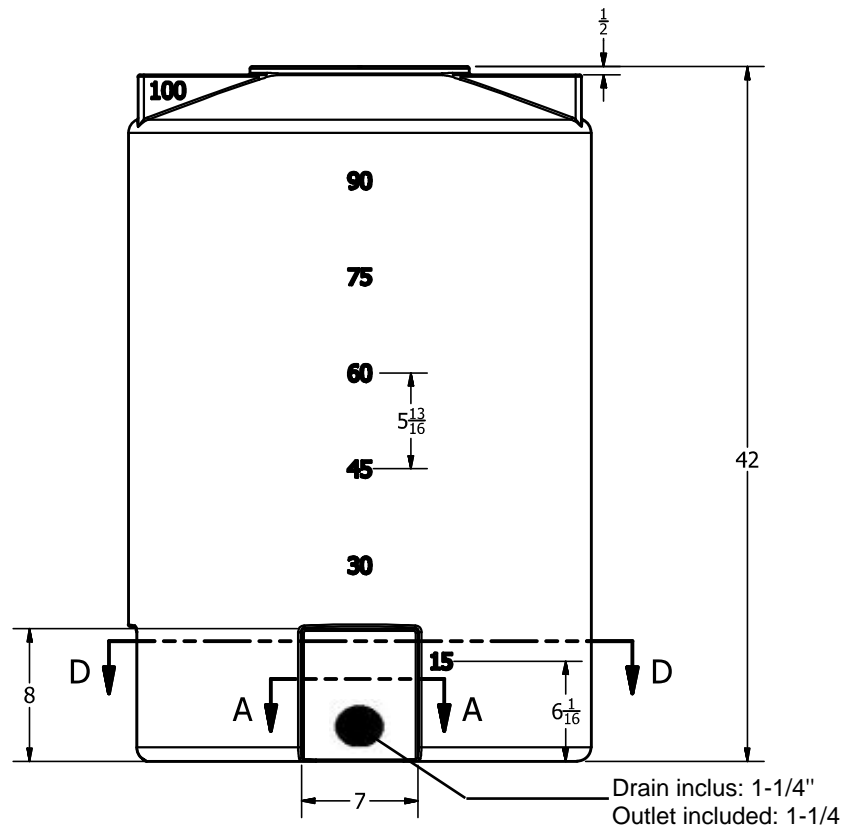


SECTION A-A
SCALE 1:4



SECTION D-D
SCALE 1:16



REVISION HISTORY			
REV	DESCRIPTION	DATE	AUTHOR
A	REDRAWN	7/1/2013	Michael Holden
DRAWN	Jerry Paulson	6/6/2003	<p style="text-align: center;">AGRICO PLASTIQUES 450-471-2772</p>
CHECKED			
QA			
MFG			
APPROVED			
TITLE		100 GALLON VERTICAL TANK X 28 DIAMETER	
SIZE	DWG NO	REV	
B	VFN41861	A	
SCALE: 1/16		SHEET 1 OF 1	