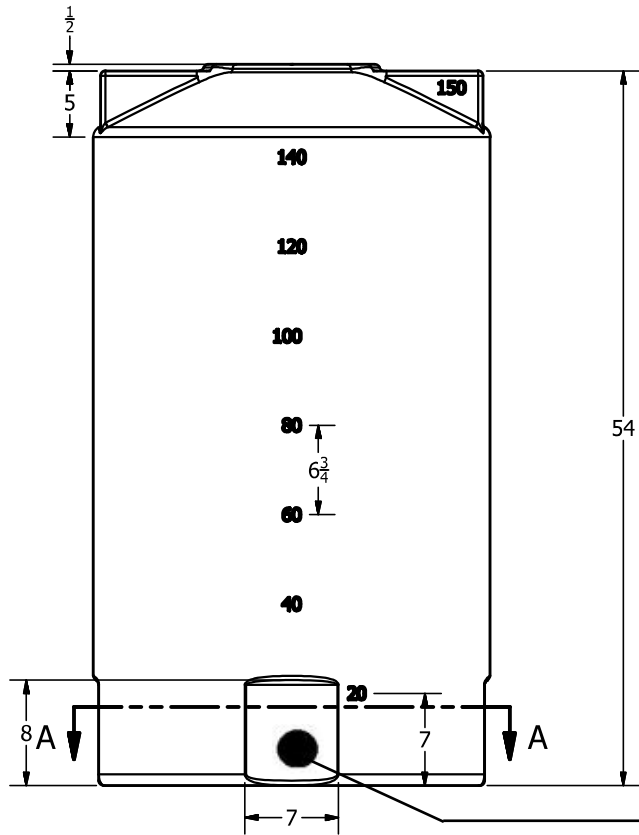
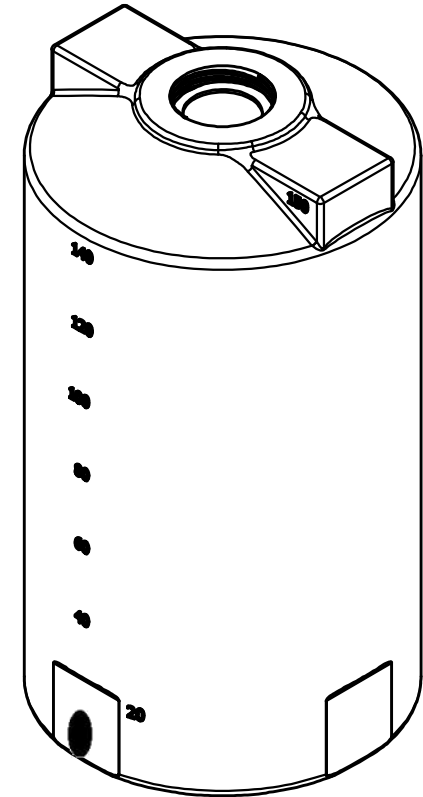


SECTION A-A  
SCALE 1:10



Drain inclus: 1-1/4"  
Outlet included: 1-1/4"

REVISION HISTORY			
REV	DESCRIPTION	DATE	AUTHOR
A	REDRAWN	7/1/2013	Michael Holden
DRAWN Jerry Paulson	7/11/2003	<b>AGRICO PLASTIQUES</b> <b>450-471-2772</b> TITLE <b>150 GALLON VERTICAL TANK X 30</b> <b>DIAMETER</b>	
CHECKED			
QA			
MFG			
APPROVED			
	SIZE <b>B</b>	DWG NO <b>VFN41859</b>	REV <b>A</b>
SCALE: 1/16		SHEET 1 OF 1	