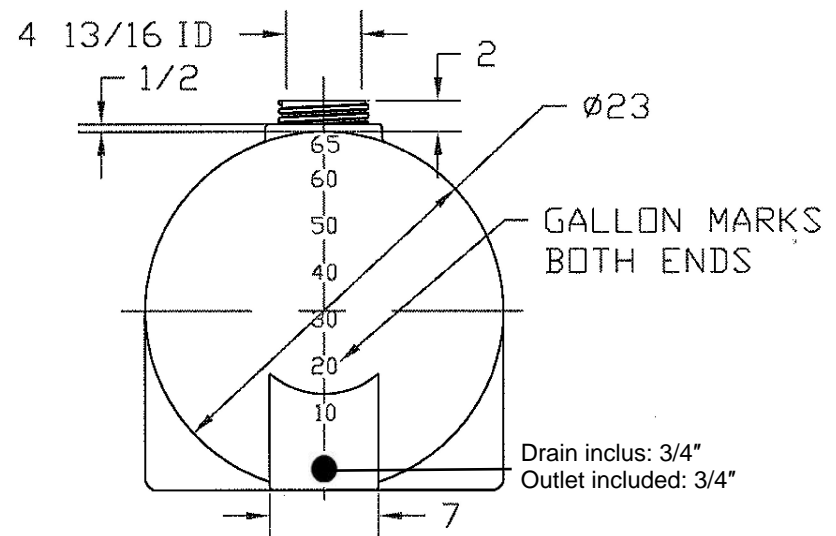
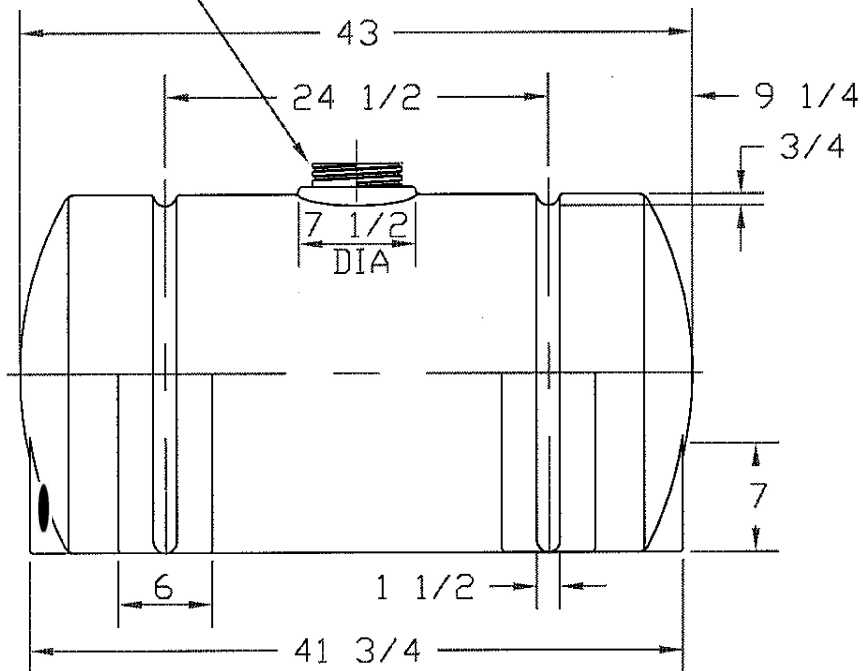


REVISIONS				
ZONE	REV	DESCRIPTION	DATE	APPROVED
	A	REDRAWN	7 JAN 97	
	B	LID THREAD REVISED	09 FEB 00	

ACME THREAD
 5-3/4 MAJOR DIA
 5-3/8 MINOR DIA
 9/16 PITCH



HL-45191	AGRICO PLASTIQUES 450-471-2772			
	65 GALLON HORIZONTAL TANK			
JTP	07JAN97	SIZE A	FSCM NO.	DWG NO.
		SCALE 1/12	SHEET	
				REV B