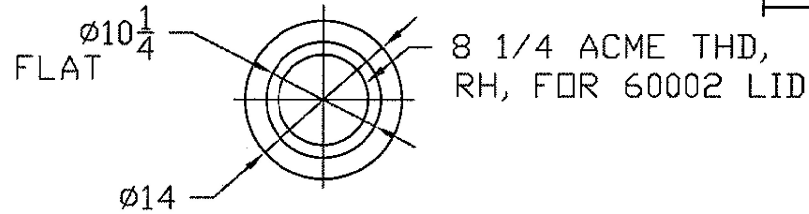
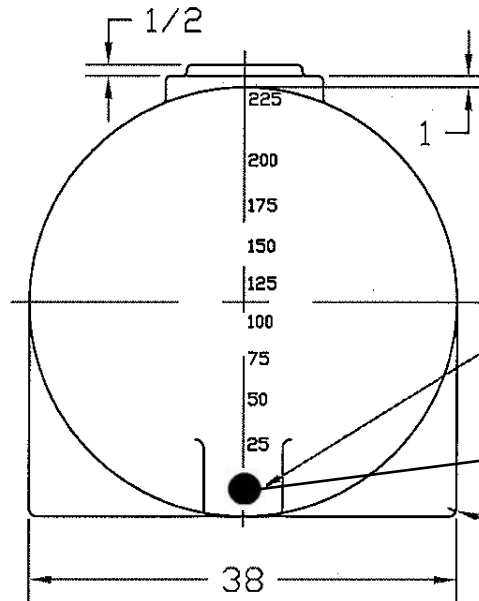
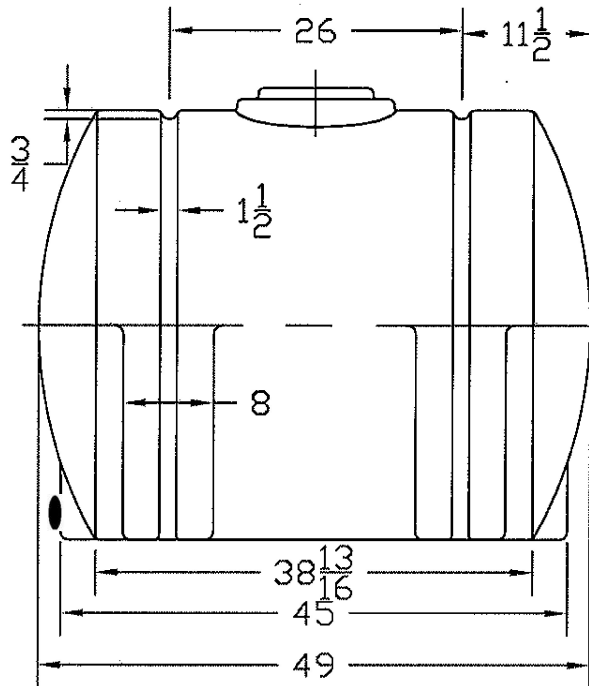


REVISIONS				
ZONE	REV	DESCRIPTION	DATE	APPROVED
	A	ØH ADDED	04JAN05	
	B	IA ADDED	21JUN06	



NOTE: GALLONAGE MARKS
ON BOTH ENDS



- 31.6
- 27.6
- 24
- 20.7
- 17.3
- 14
- 10.4
- 6.4
- 0

Ⓐ Ⓑ

GA, MN, OH, UT, WA, CA, IA

EL-40299	AGRICO-PLASTIQUES 450-471-2772			
	225 GALLON HORIZONTAL LEG TANK			
JTP 07MAR96	SIZE A	FSCM NO.	DWG NO. 40299	REV A
SCALE 1/16		SHEET 2 OF 2		