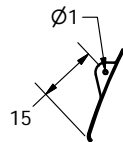
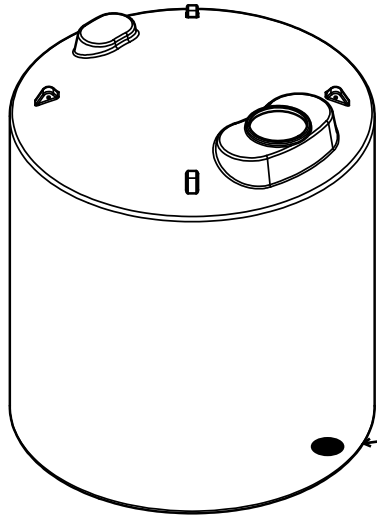
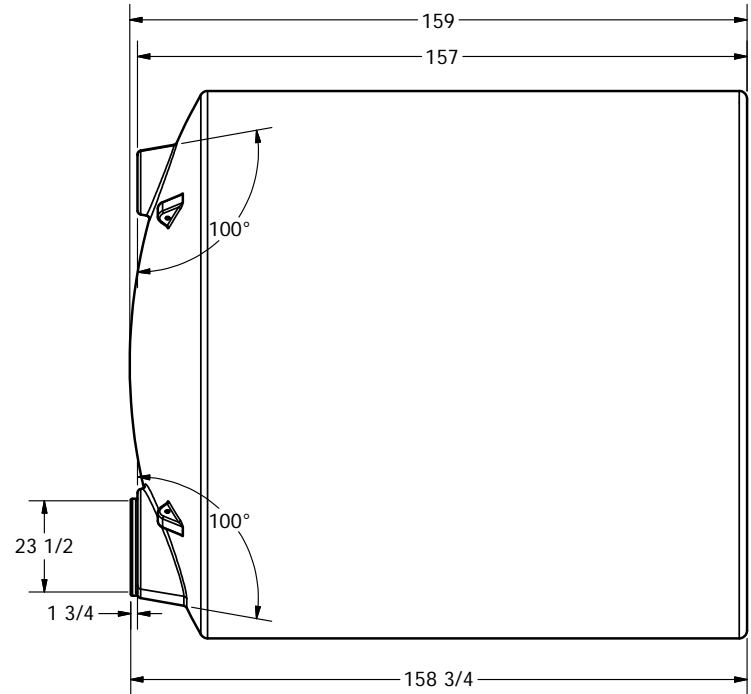
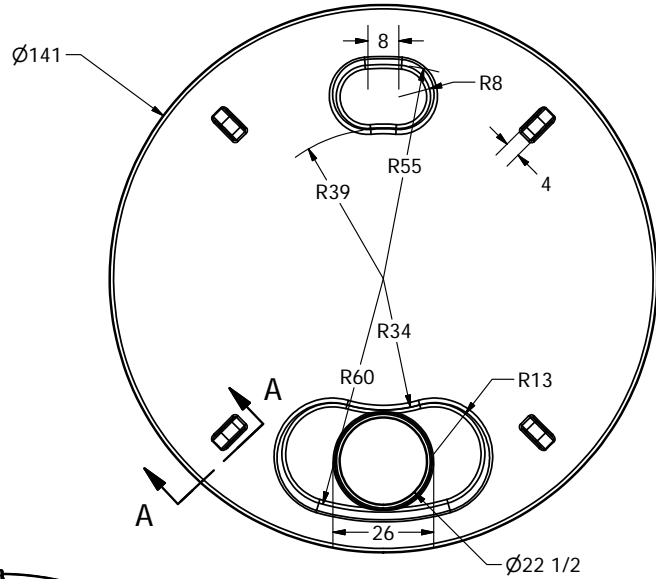


Réservoir Vertical Fermé de 10 000 Gallons US

REV	DESCRIPTION	DATE	AUTHOR
A	LID REVISED TO 22"	3/5/2013	Jerry Paulson



SECTION A-A
SCALE 1/32

Drain inclus : 3"
Outlet included: 3"

DRAWN Jerry Paulson	1/28/2010	Agrico Plastiques 450-471-2772
CHECKED		
QA		10,000 GALLON VERTICAL STORAGE TANK
MFG		
APPROVED		VFN43128 / VFN43130
SCALE: 1/16		SHEET 1 OF 1