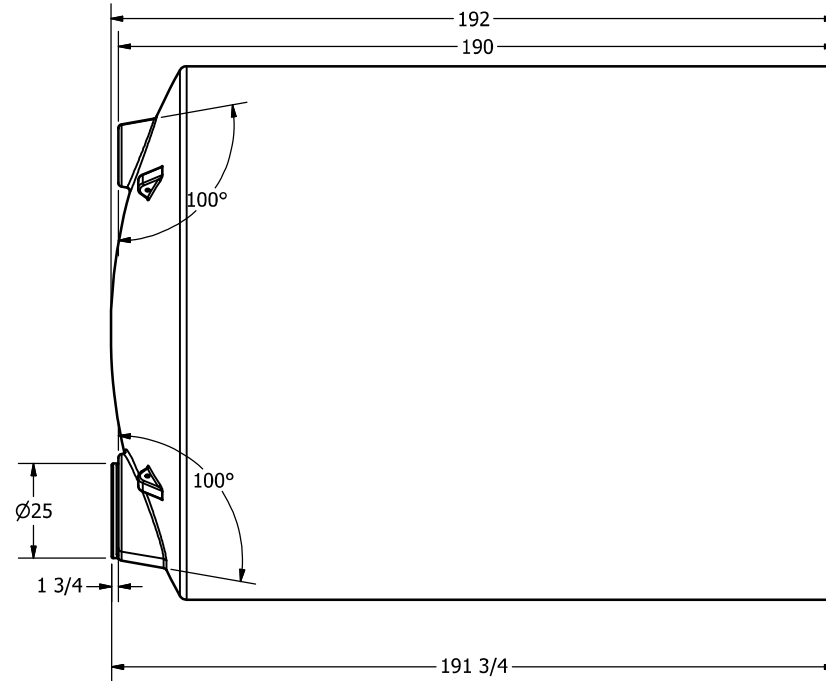
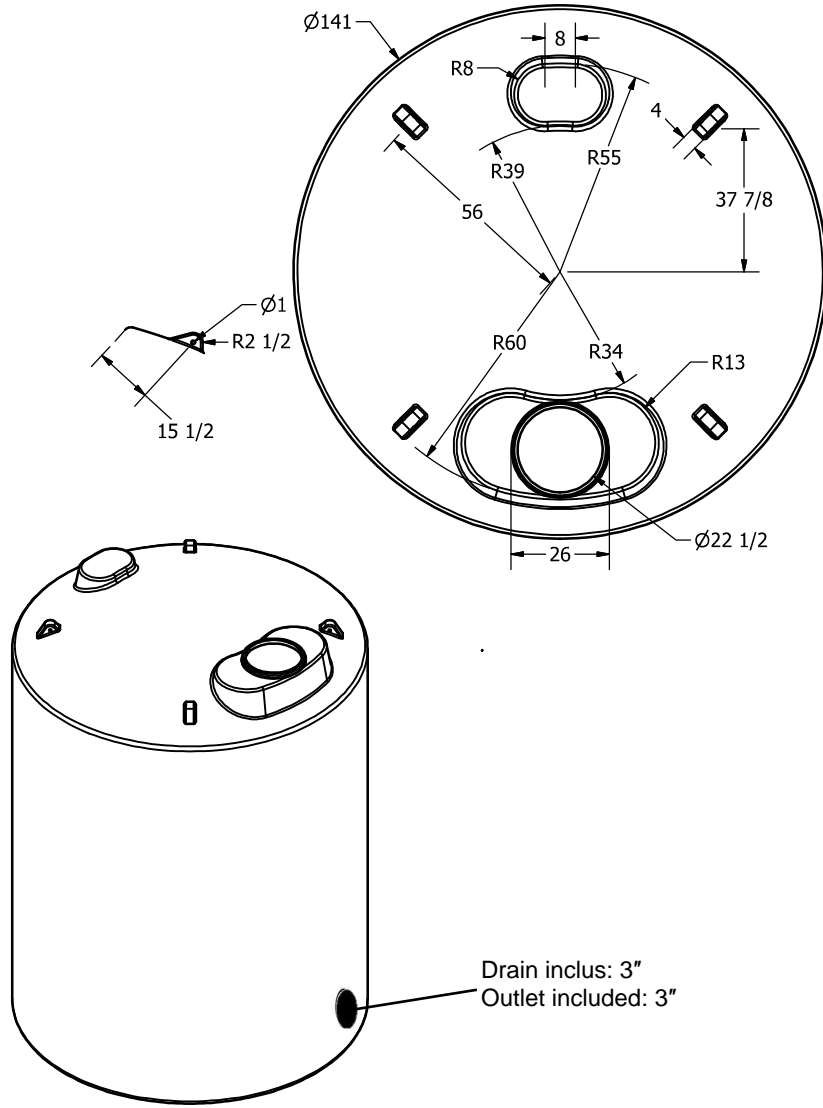


RESERVOIR VERTICAL FERME DE 12 000 GALLONS US

WWW.AGRICOPLASTIQUES.COM

REV	DESCRIPTION	DATE	AUTHOR
A	LID REVISED TO 22"	3/5/2013	Jerry Paulson



DRAWN Jerry Paulson	4/19/2011	AGRICO PLASTIQUES 450-471-2772	
CHECKED		TITLE	
QA		12,000 GALLON VERTICAL INDUSTRIAL TANK	
MFG		SIZE B	REV A
APPROVED		DWG NO VFN43919	
SCALE: 1/16		SHEET 1 OF 1	