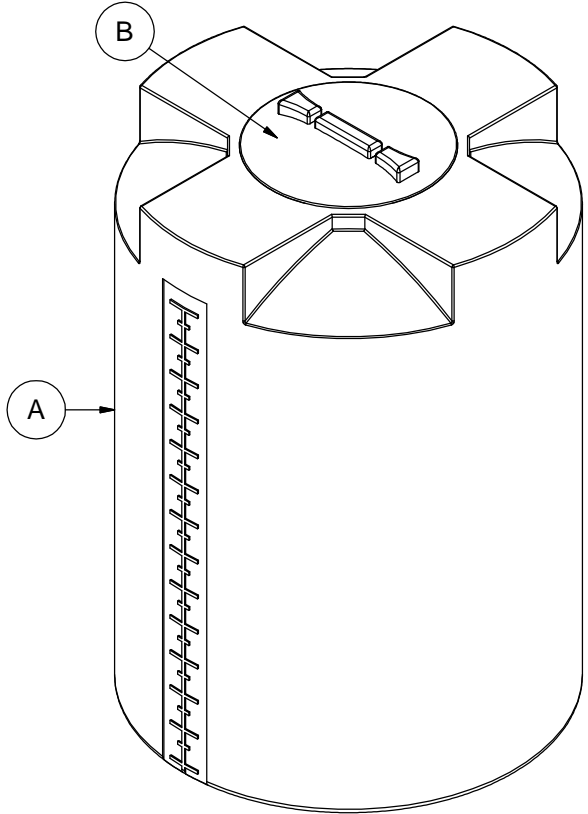
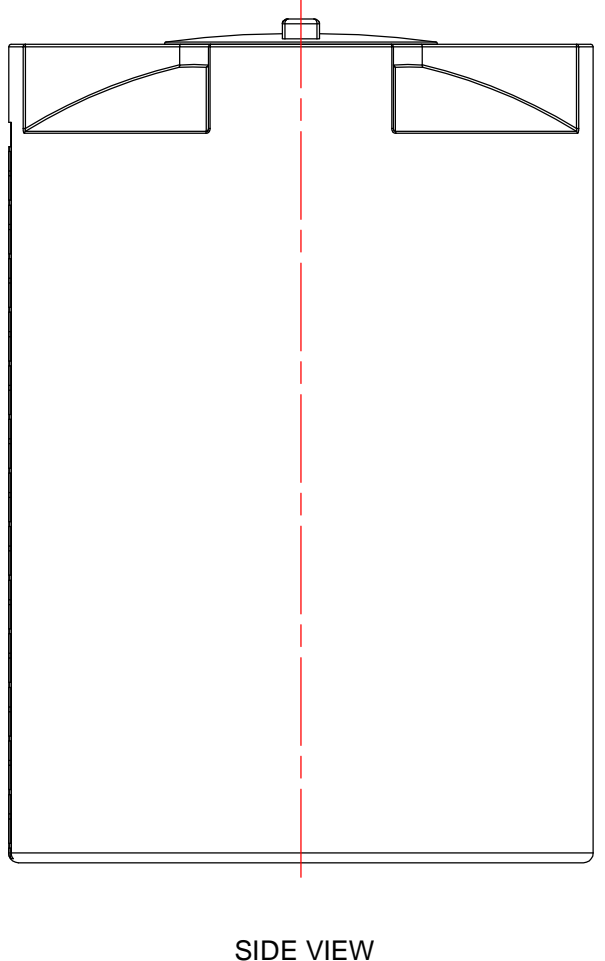
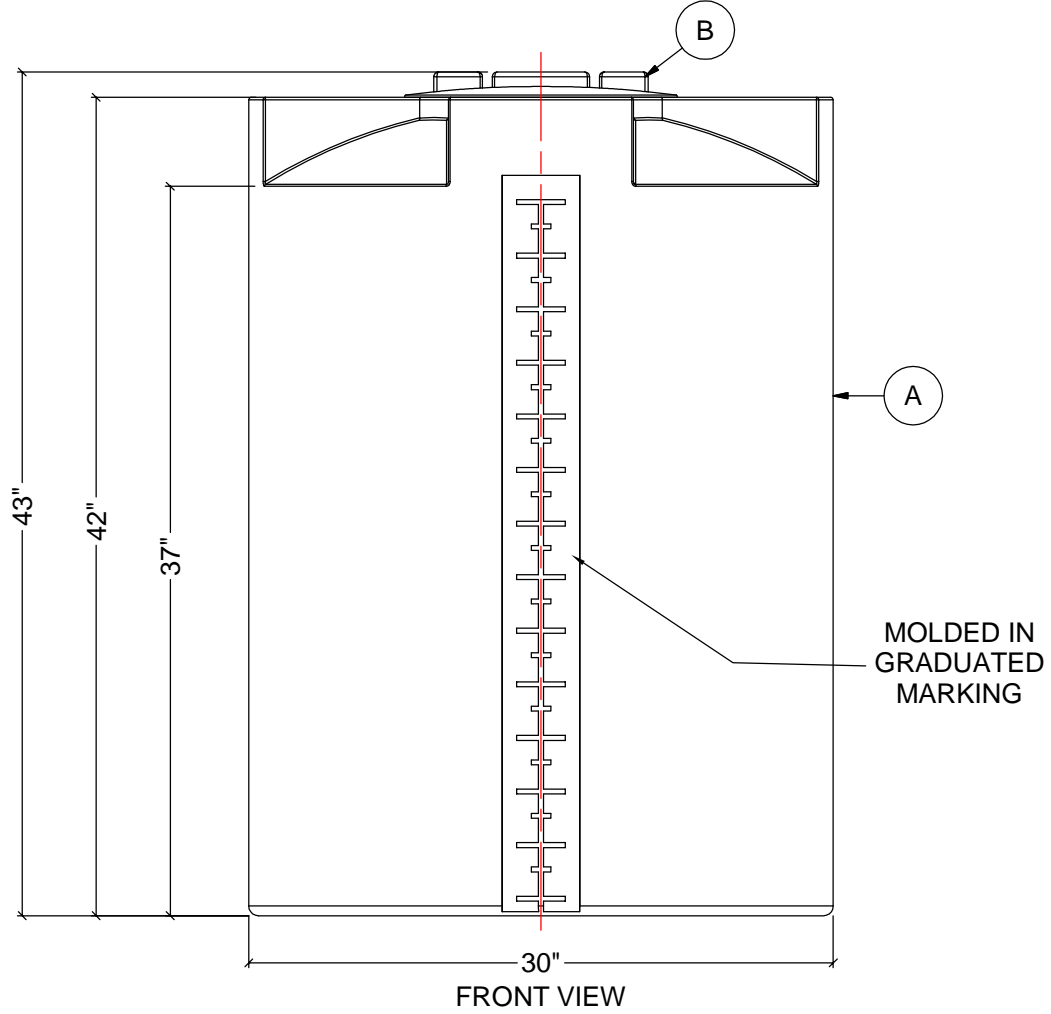
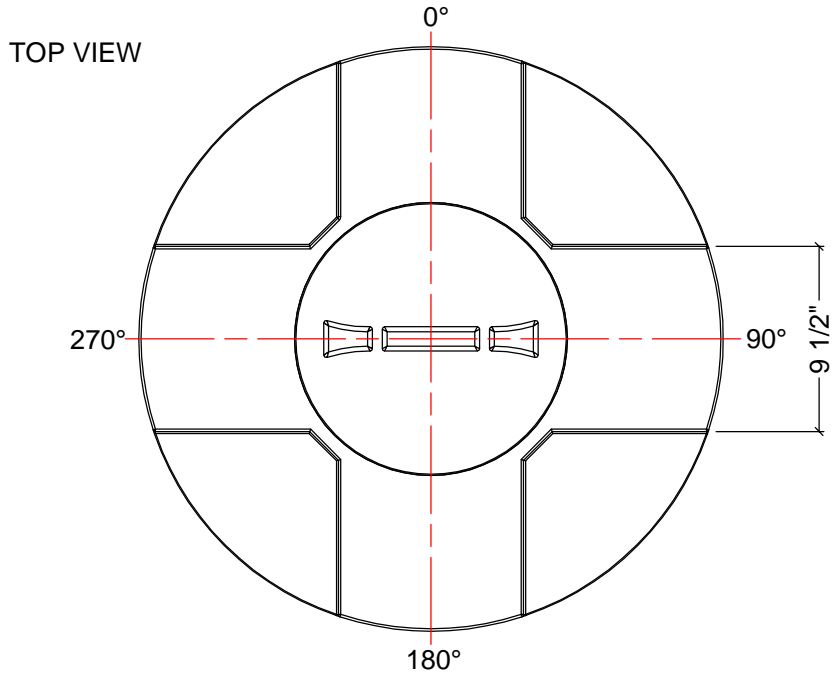


MATERIALS LIST		
ITEMS	DESCRIPTION	NOTES
A	VFA100CH VERTICAL TANK	
B	12" THREADED MCPHEE LID	

NOTES:

1. TANK IS MANUFACTURED TO ASTM-D-1998 STANDARD.
2. ALL DIMENSIONS ARE APPROXIMATE.



AGRICO PLASTIQUES
 450-471-2772
WWW.AGRICO-PLASTIQUES.COM
 RESERVOIR VFA100CH
 CAPACITÉ DE:
 100 GALLONS IMPÉRIAUX
 120 GALLONS US
 450 LITRES