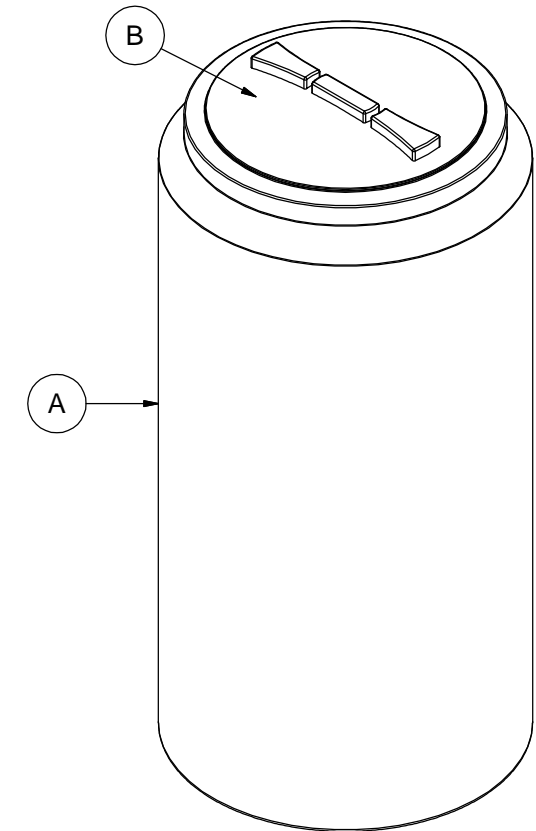
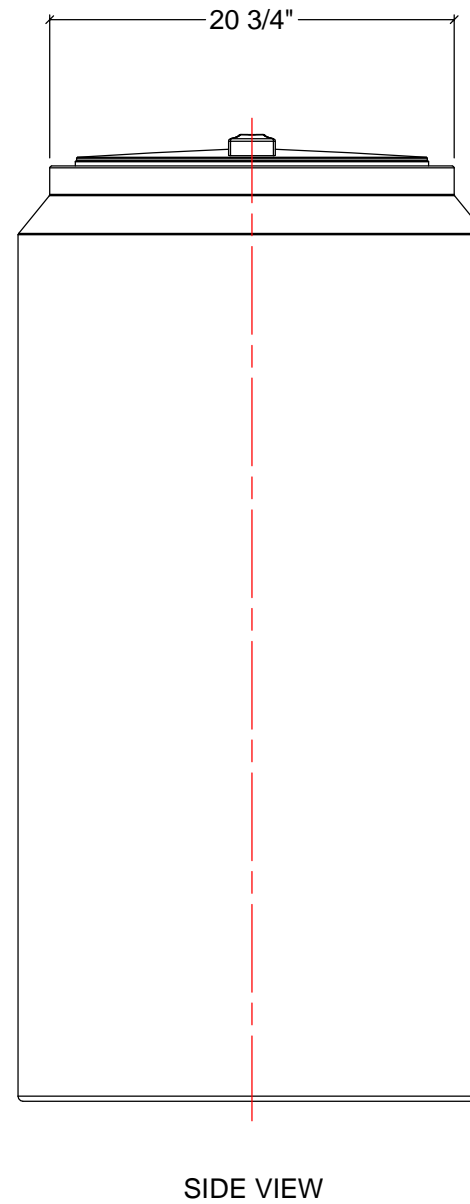
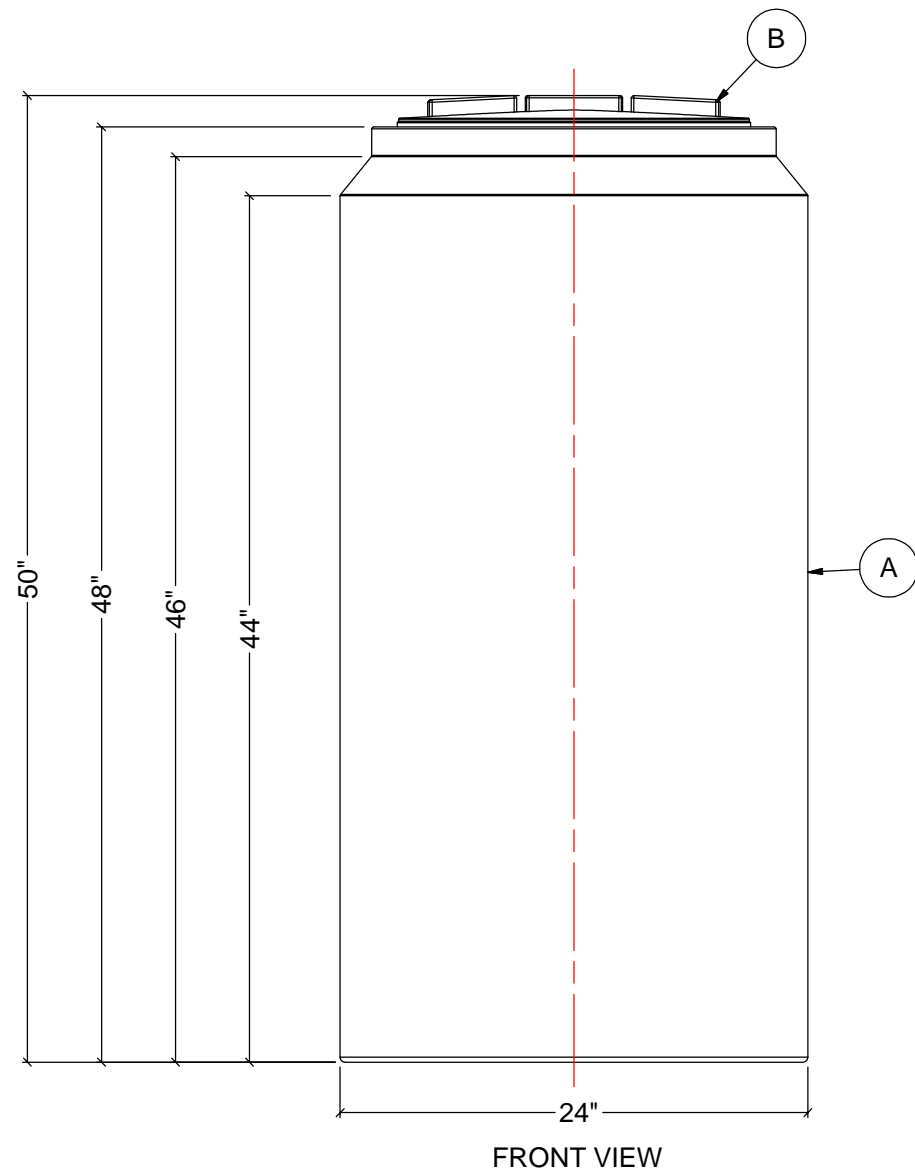


NOTES:

1. TANK IS MANUFACTURED TO ASTM-D-1998 STANDARD.
2. ALL DIMENSIONS ARE APPROXIMATE.

| MATERIALS LIST | | |
|----------------|----------------------------|-------|
| ITEMS | DESCRIPTION | NOTES |
| A | VFA7015 / VFA7019 VERTICAL | |
| B | 15" THREADED MCPHEE LID | |
| | | |
| | | |
| | | |
| | | |
| | | |



AGRICO PLASTIQUES
450-471-2772

WWW.AGRICOPLASTIQUES.COM

RÉSERVOIR VFA7015 / VFA7019

CAPACITÉ DE:
70 GALLONS IMPERIAUX
84 GALLONS US
310 LITRES