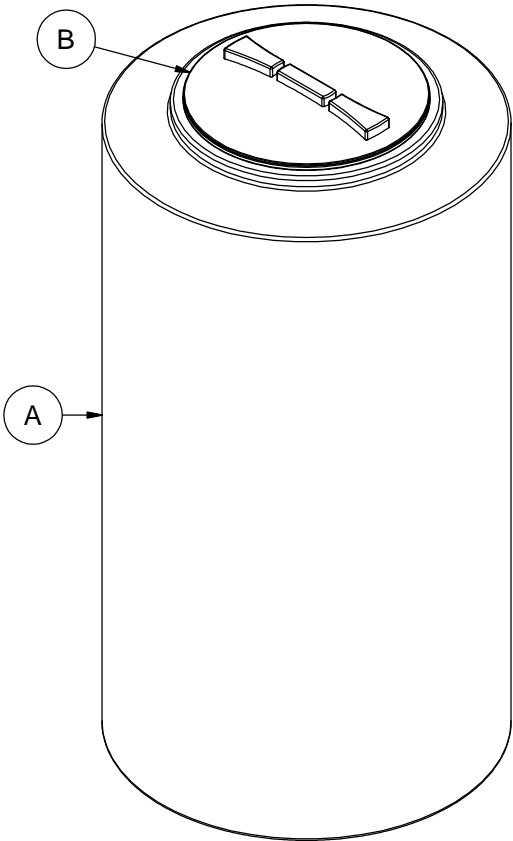
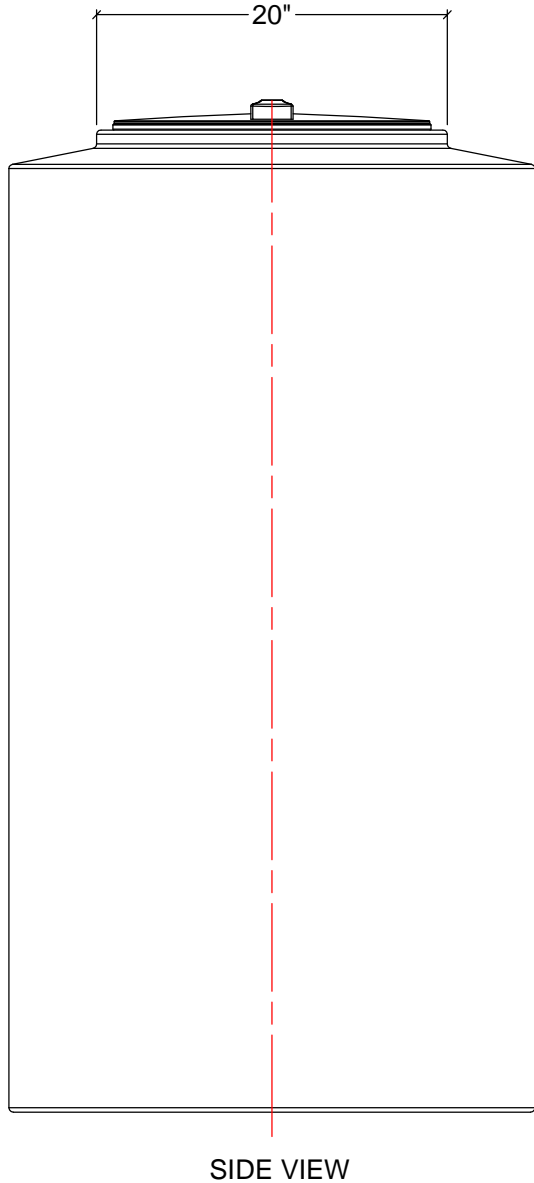
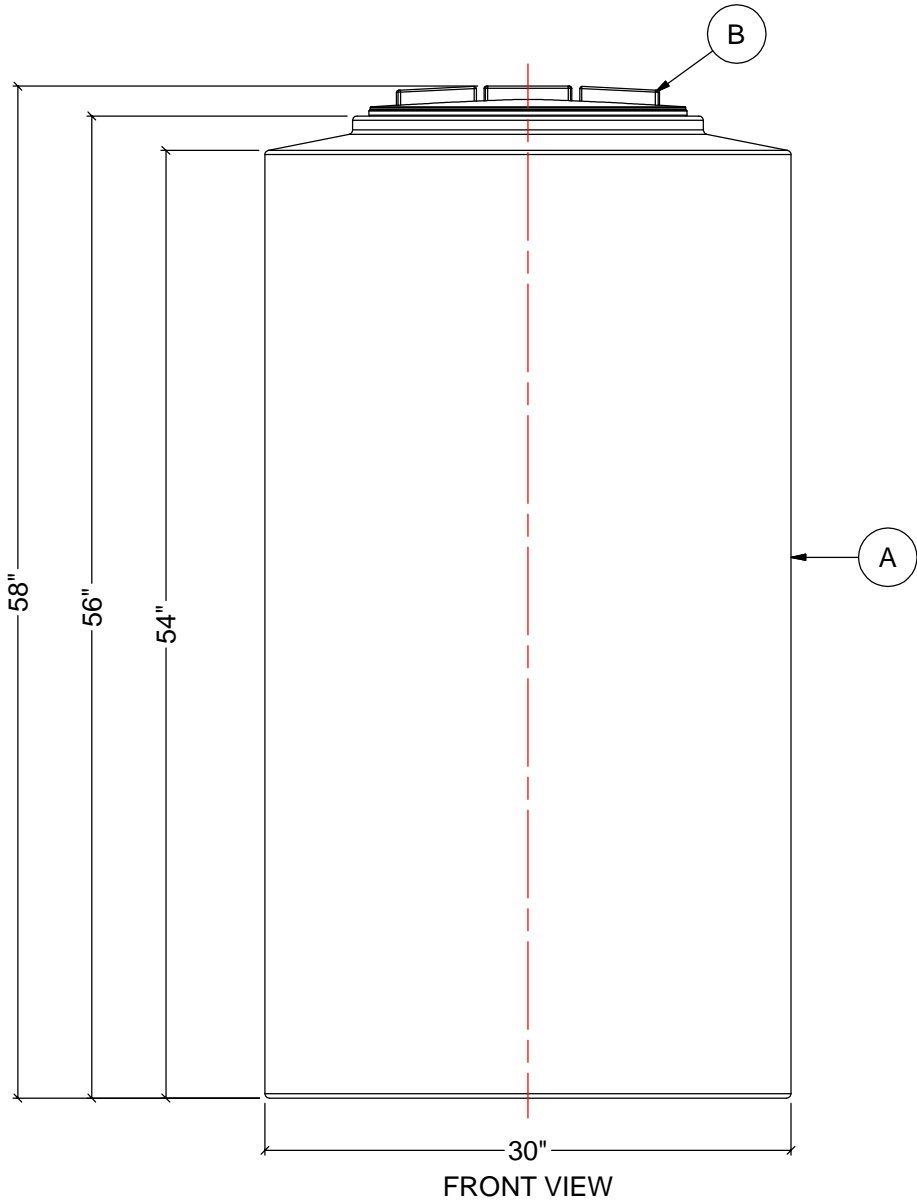
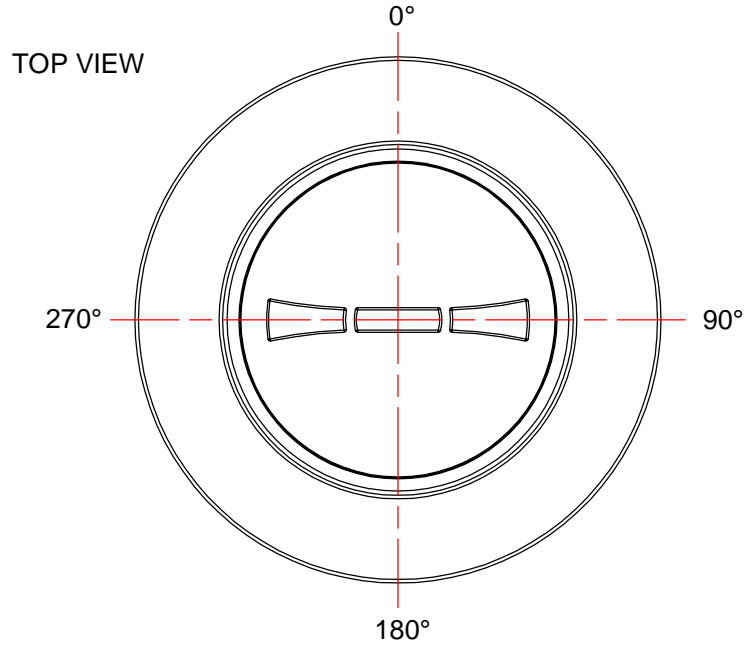


MATERIALS LIST		
ITEMS	DESCRIPTION	NOTES
A	VFA120 VERTICAL TANK	
B	15" THREADED MCPHEE LID	

NOTES:
 1. TANK IS MANUFACTURED TO ASTM-D-1998 STANDARD.
 2. ALL DIMENSIONS ARE APPROXIMATE.



AGRICO PLASTIQUES
 450-471-2772
WWW.AGRICOPLASTIQUES.COM
 RÉSERVOIR VFA120
 CAPACITÉ DE:
 120 GALLONS IMPÉRIAUX
 144 GALLONS US
 540 LITRES