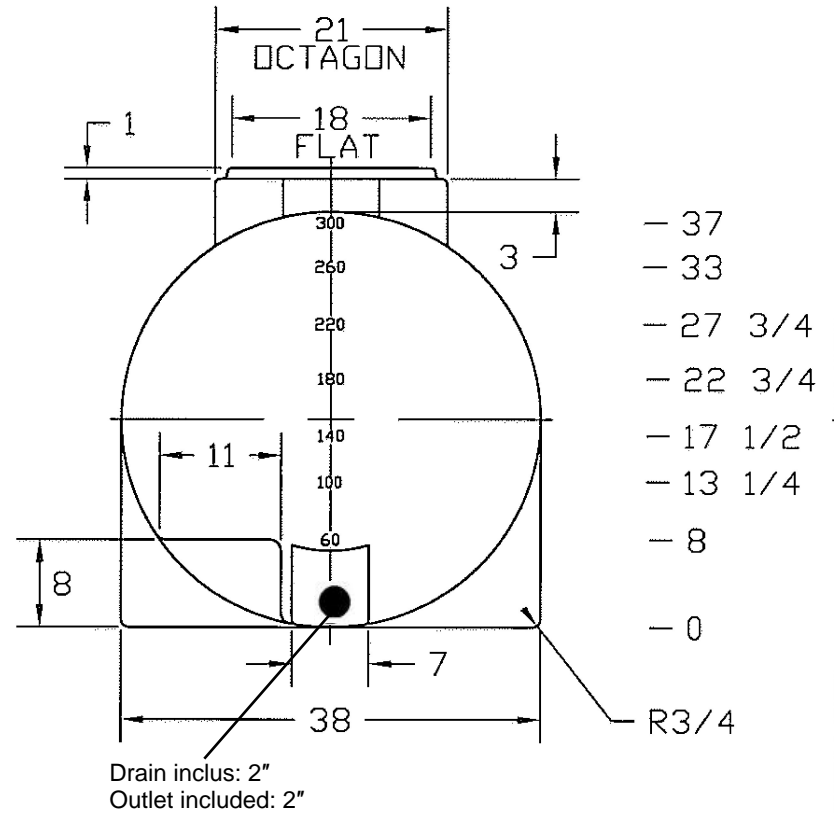
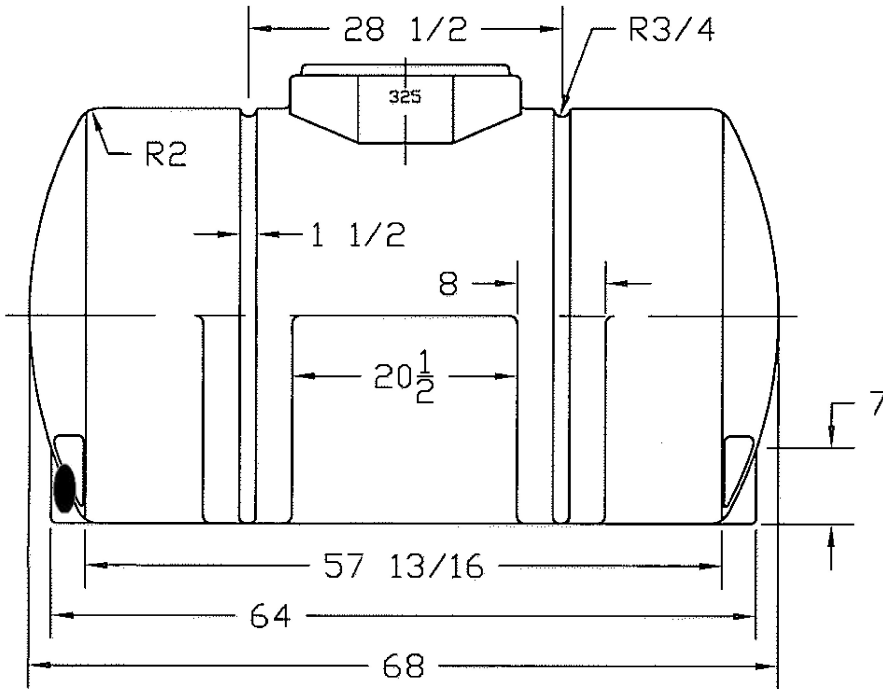


REVISIONS				
ZONE	REV	DESCRIPTION	DATE	APPROVED
	A	REDRAWN	14AUG97	



GALLON MARKS BOTH ENDS

HL-40217	AGRICO-PLASTIQUES 450-471-2772			
	325 GALLON HORIZONTAL LEG TANK			
JTP	14AUG97	SIZE A	FSCM NO.	DWG NO.
		SCALE 1/16		SHEET