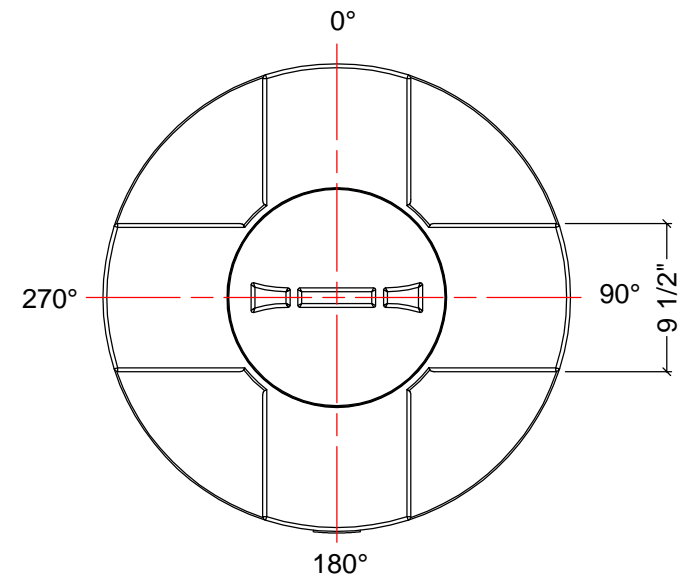


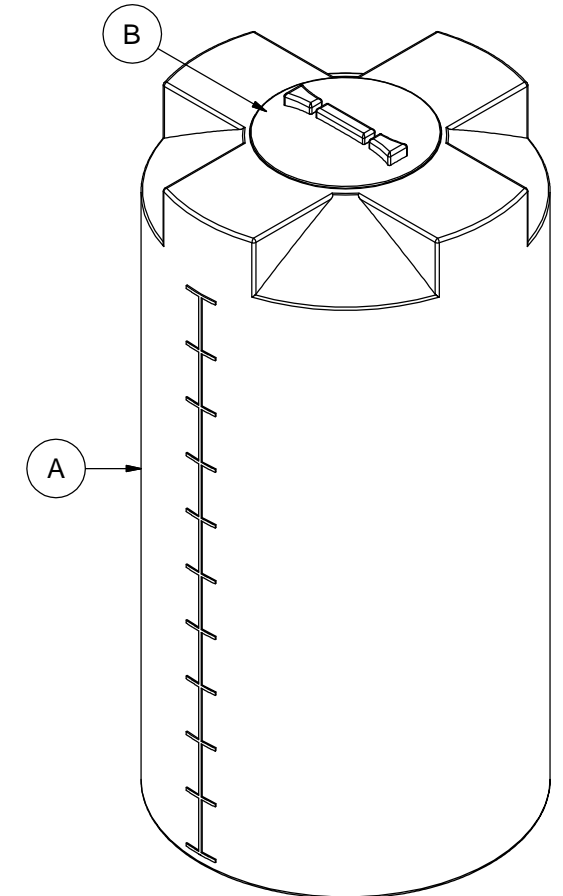
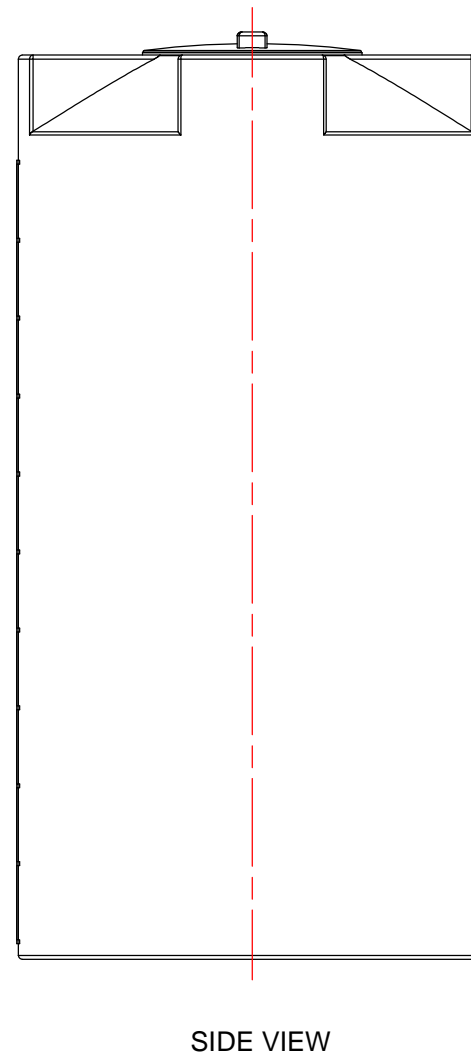
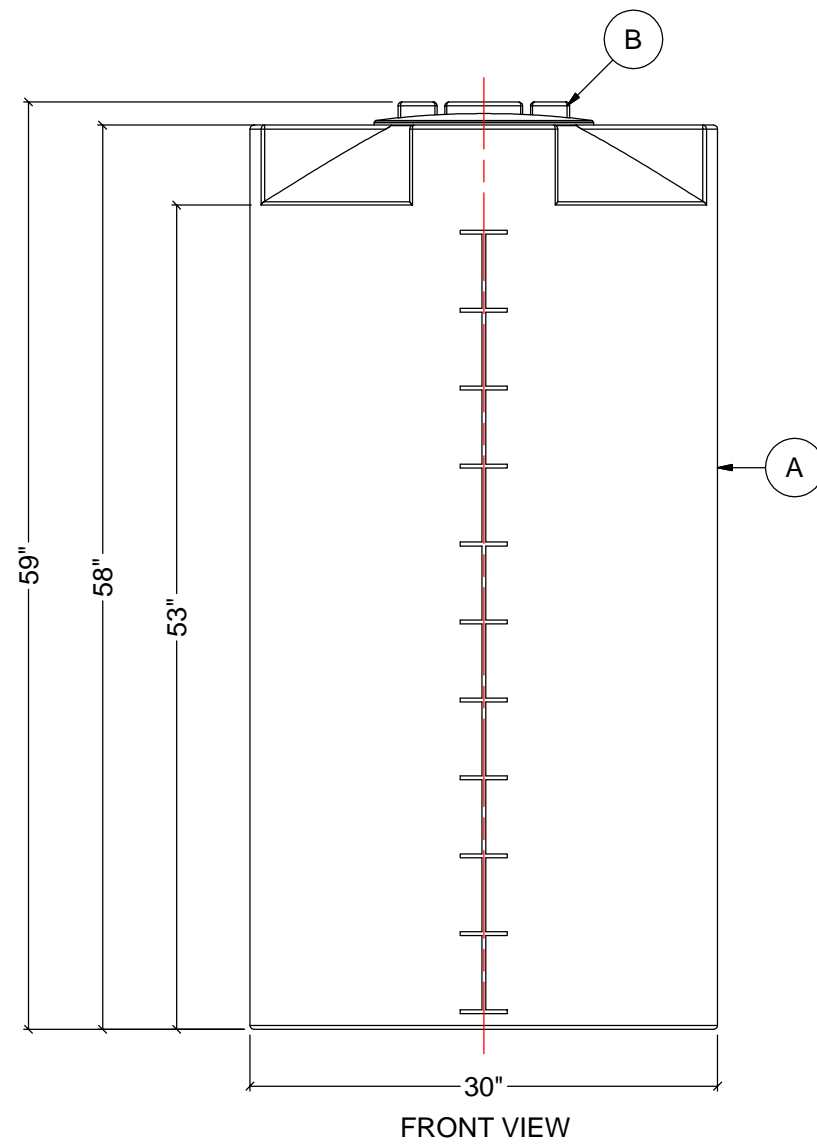
TOP VIEW



NOTES:

1. TANK IS MANUFACTURED TO ASTM-D-1998 STANDARD.
2. ALL DIMENSIONS ARE APPROXIMATE.

MATERIALS LIST		
ITEMS	DESCRIPTION	NOTES
A	VFA150CH VERTICAL TANK	
B	12" THREADED MCPHEE LID	



AGRICO PLASTIQUES
 450-471-2772
WWW.AGRICOPLASTIQUES.COM
 RÉSERVOIR VFA150CH
 CAPACITÉ DE:
 150 GALLONS IMPÉRIAUX
 180 GALLONS US
 680 LITRES