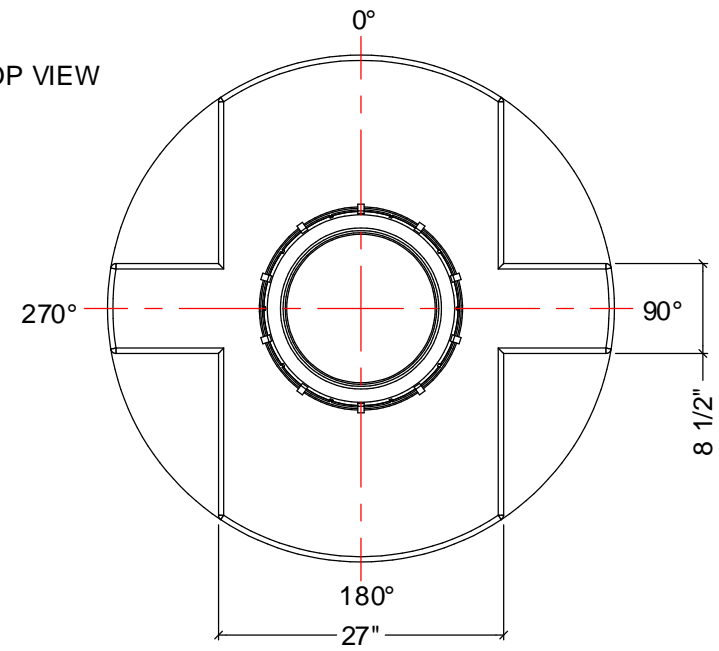


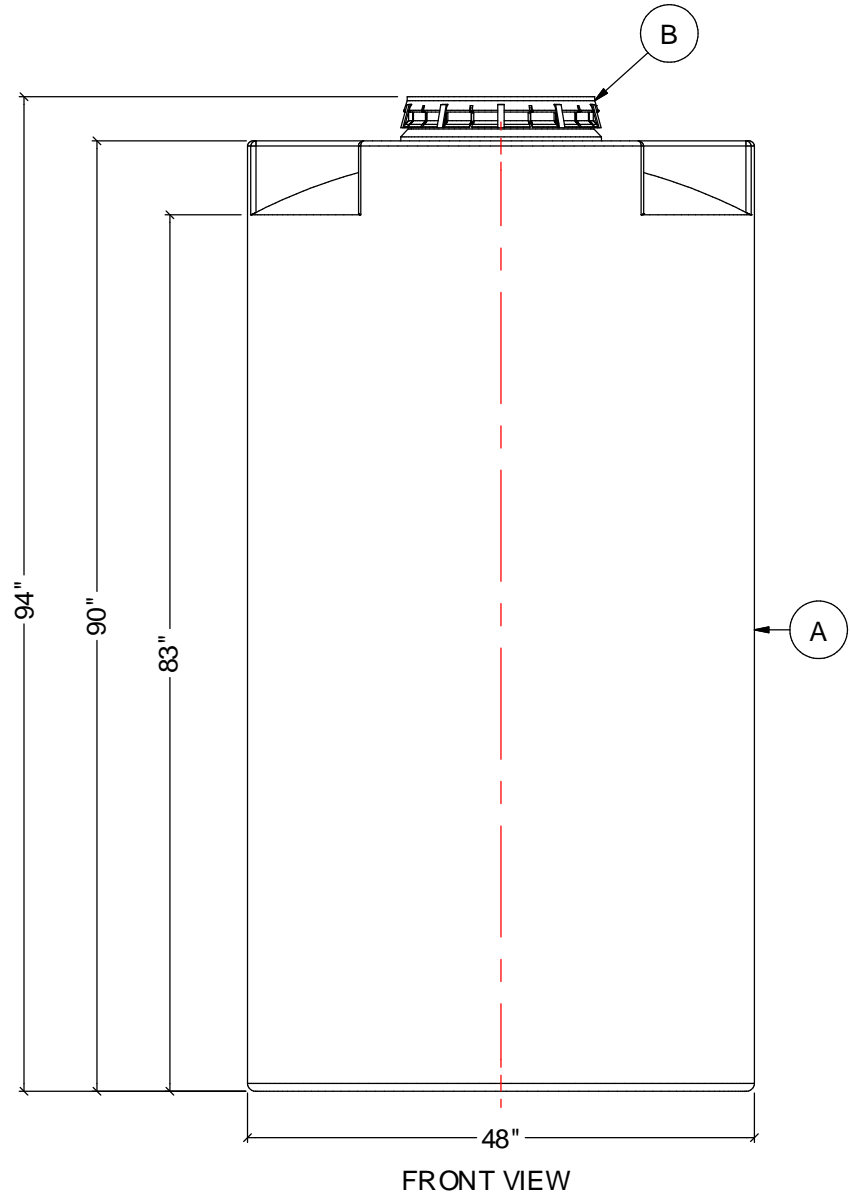
TOP VIEW



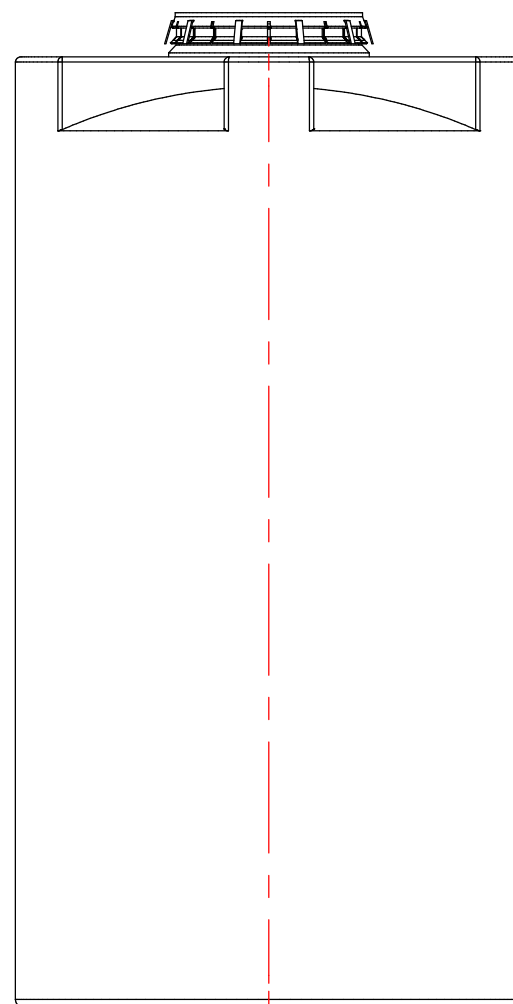
NOTES:

- 1. TANK IS MANUFACTURED TO ASTM-D-1998 STANDARD.
- 2. ALL DIMENSIONS ARE APPROXIMATE.

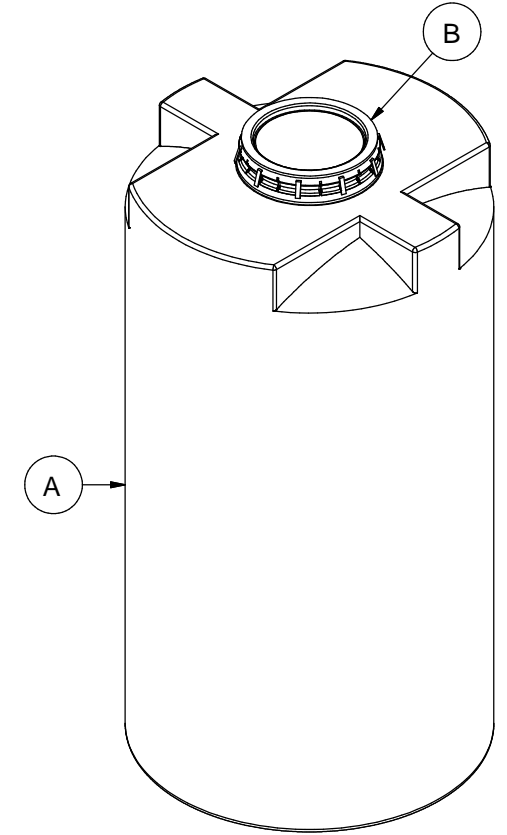
MATERIALS LIST		
ITEMS	DESCRIPTION	NOTES
A	VFA450CH VERTICAL TANK	
B	16" LID WITH LOCKING STRAP	



FRONT VIEW



SIDE VIEW



**AGRICO PLASTIQUES**  
 450-471-2772  
[WWW.AGRICOPLASTIQUES.COM](http://WWW.AGRICOPLASTIQUES.COM)  
 RÉSERVOIR VFA450CH  
 CAPACITÉ DE:  
 450 GALLONS IMPÉRIAUX  
 540 GALLONS US  
 2000 LITRES