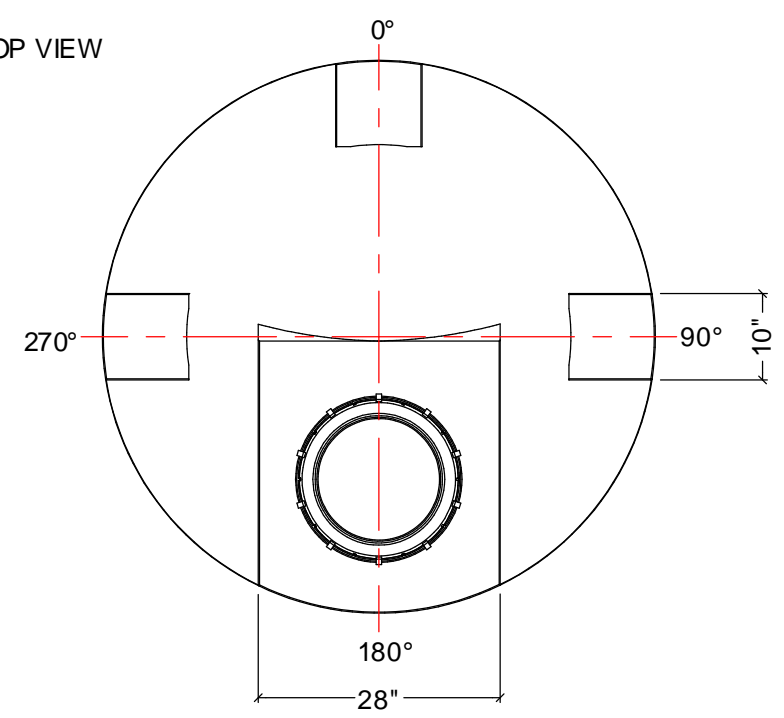


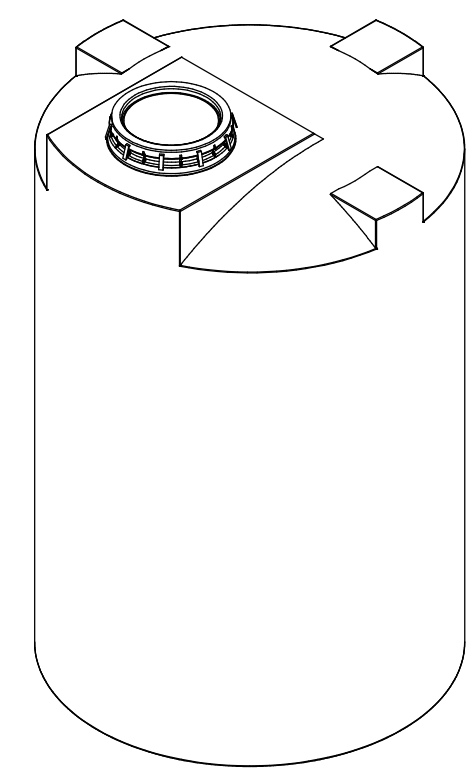
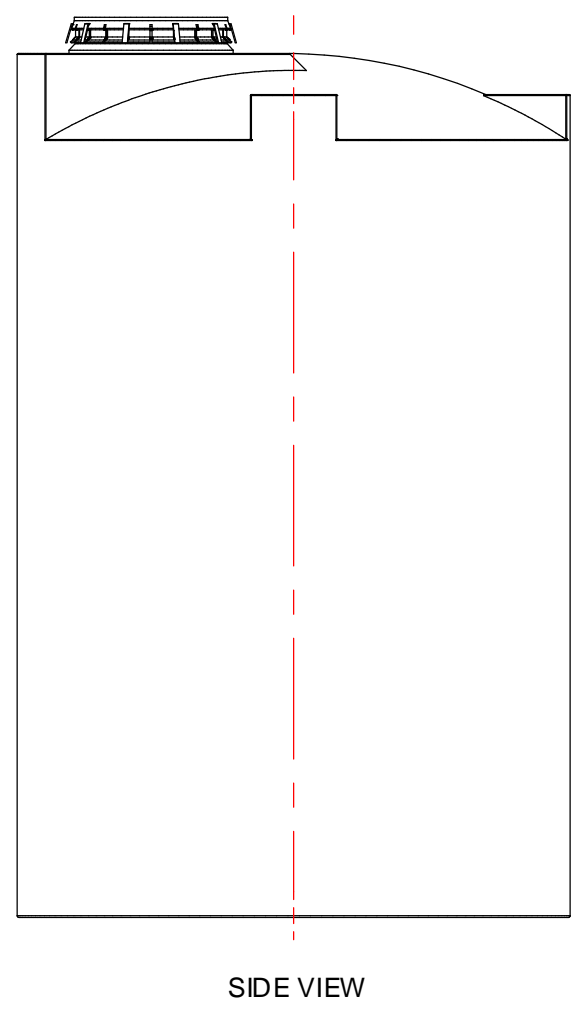
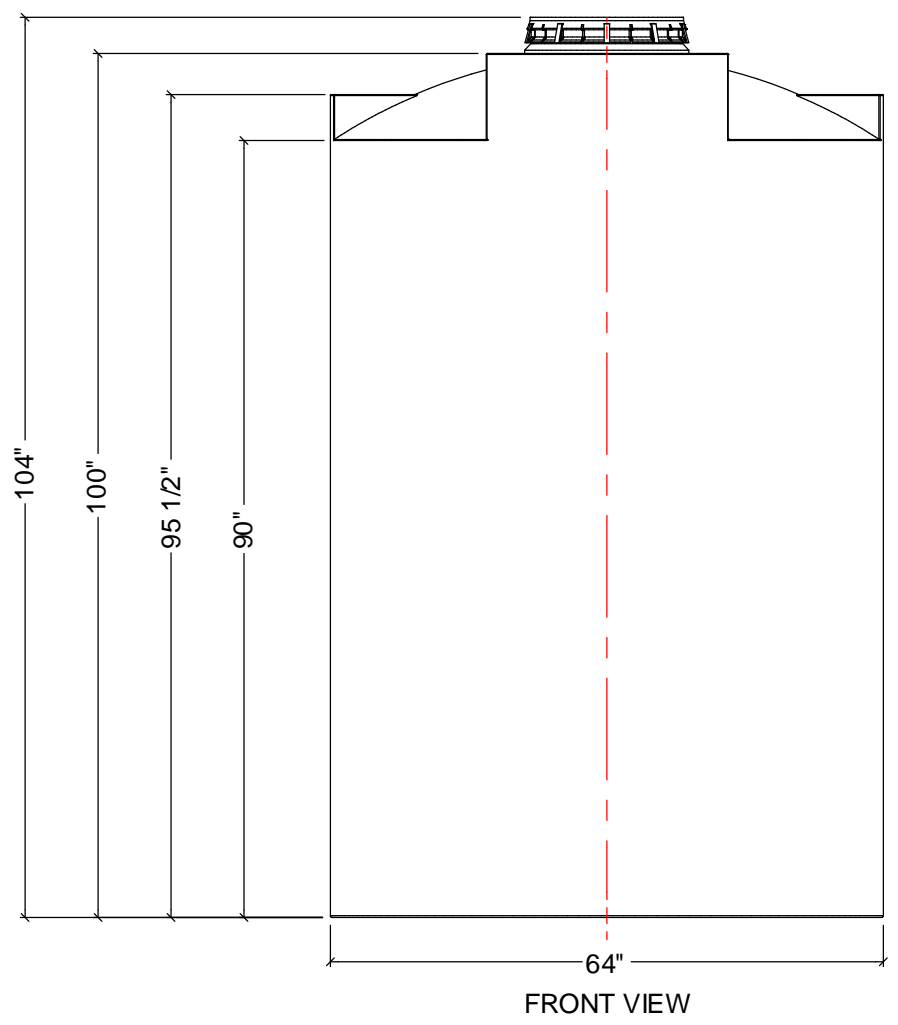
TOP VIEW



NOTES:

1. TANK IS MANUFACTURED TO ASTM-D-1998 STANDARD.
2. ALL DIMENSIONS ARE APPROXIMATE.

MATERIALS LIST		
ITEMS	DESCRIPTION	NOTES
A	VFA1000 VERTICAL TANK	
B	16" LID WITH LOCKING STRAP	



**AGRICO PLASTIQUES**  
 450-471-2772  
[WWW.AGRICOPLASTIQUES.COM](http://WWW.AGRICOPLASTIQUES.COM)  
 RÉSERVOIR VFA1000  
 CAPACITÉ DE:  
 1000 GALLONS IMPÉRIAUX  
 1200 GALLONS US  
 4500 LITRES