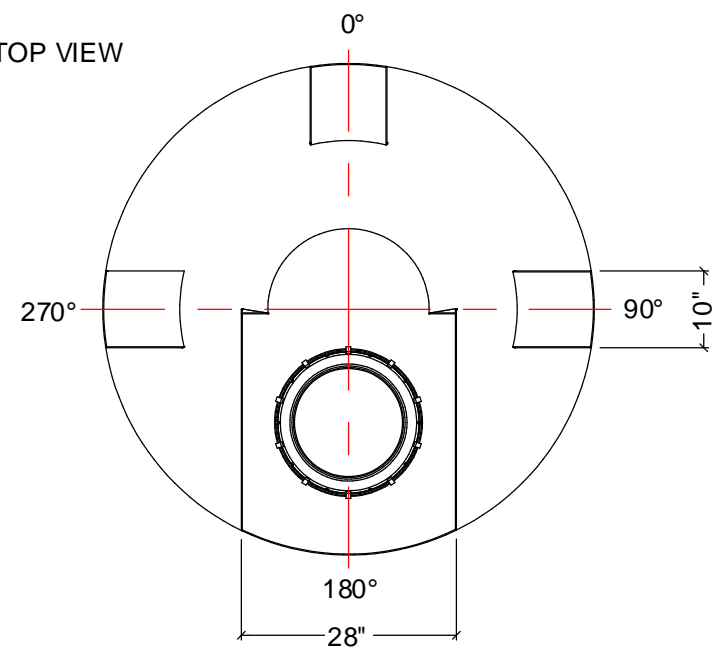


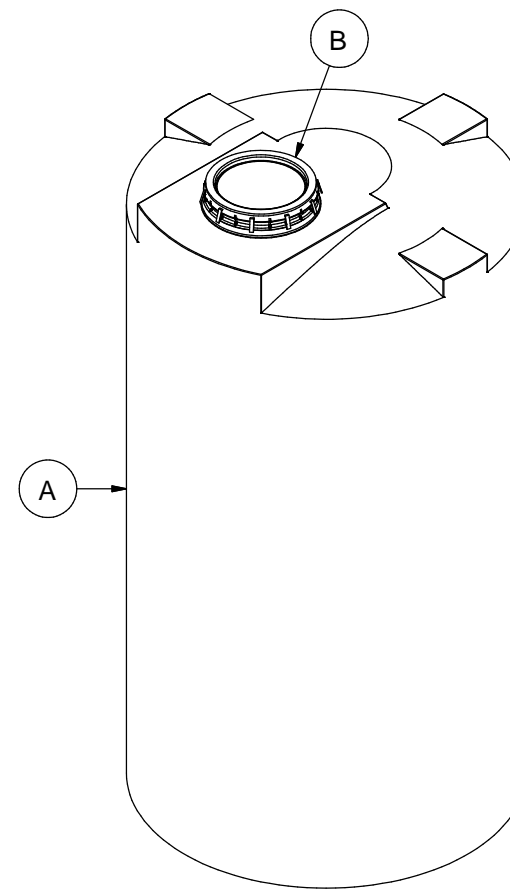
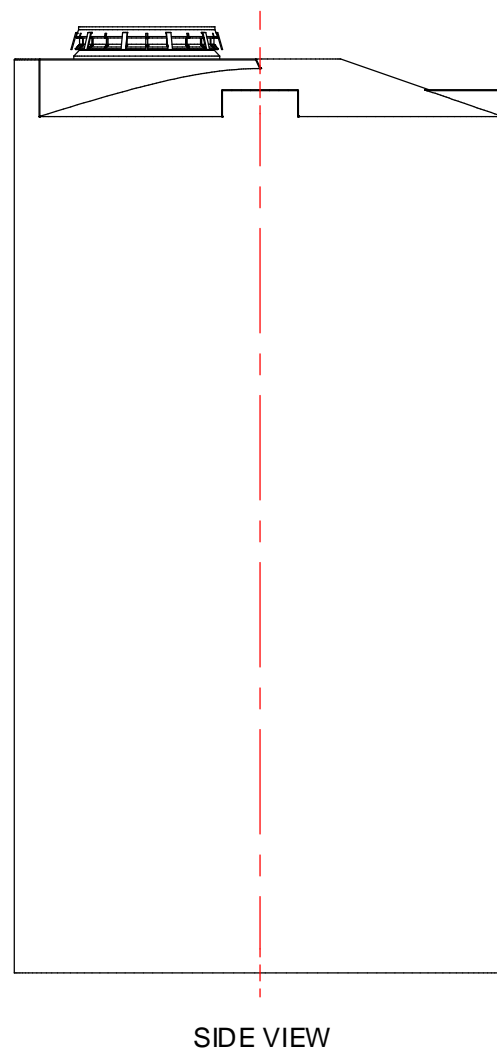
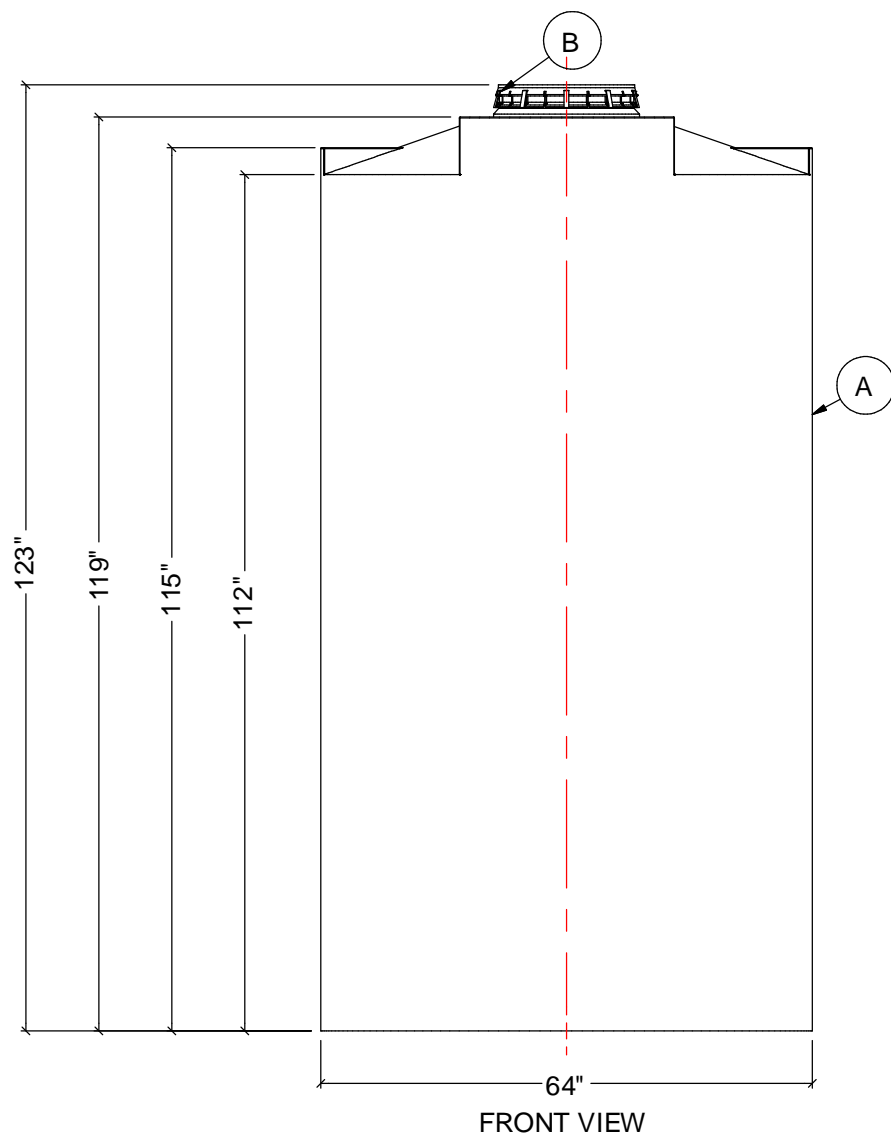
TOP VIEW



NOTES:

1. TANK IS MANUFACTURED TO ASTM-D-1998 STANDARD.
2. ALL DIMENSIONS ARE APPROXIMATE.

MATERIALS LIST		
ITEMS	DESCRIPTION	NOTES
A	VFA1235 VERTICAL TANK	
B	16" LID WITH LOCKING STRAP	



AGRICO PLASTIQUES
 450-471-2772
WWW.AGRICOPLASTIQUES.COM
 RÉSERVOIR VFA1235
 CAPACITÉ DE:
 1230 GALLONS IMPÉRIAUX
 1477 GALLONS US
 5600 LITRES