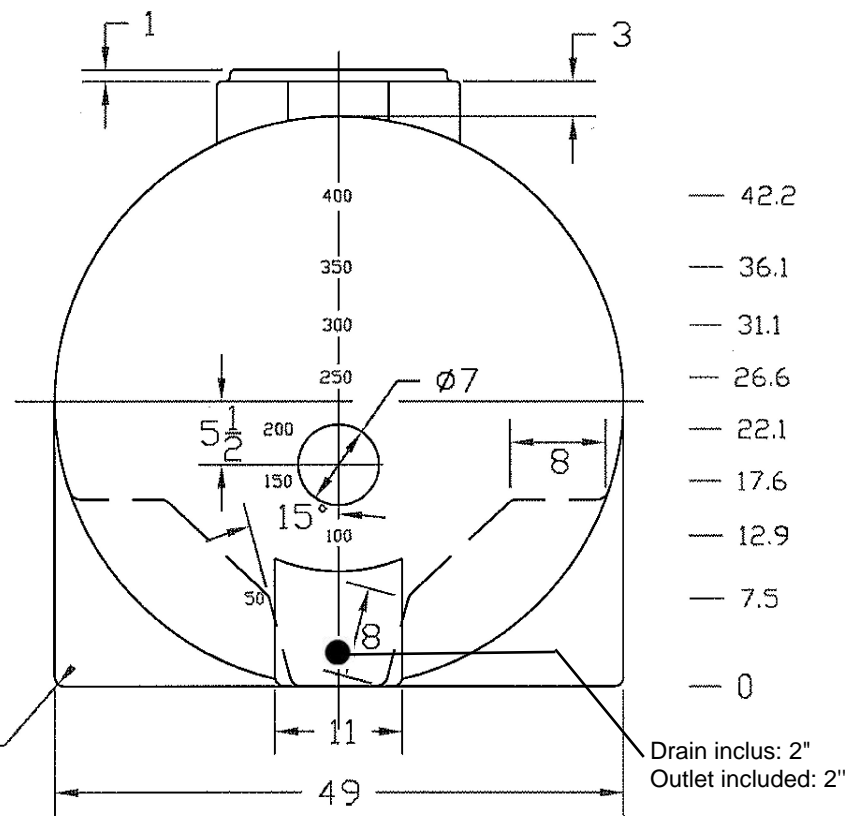
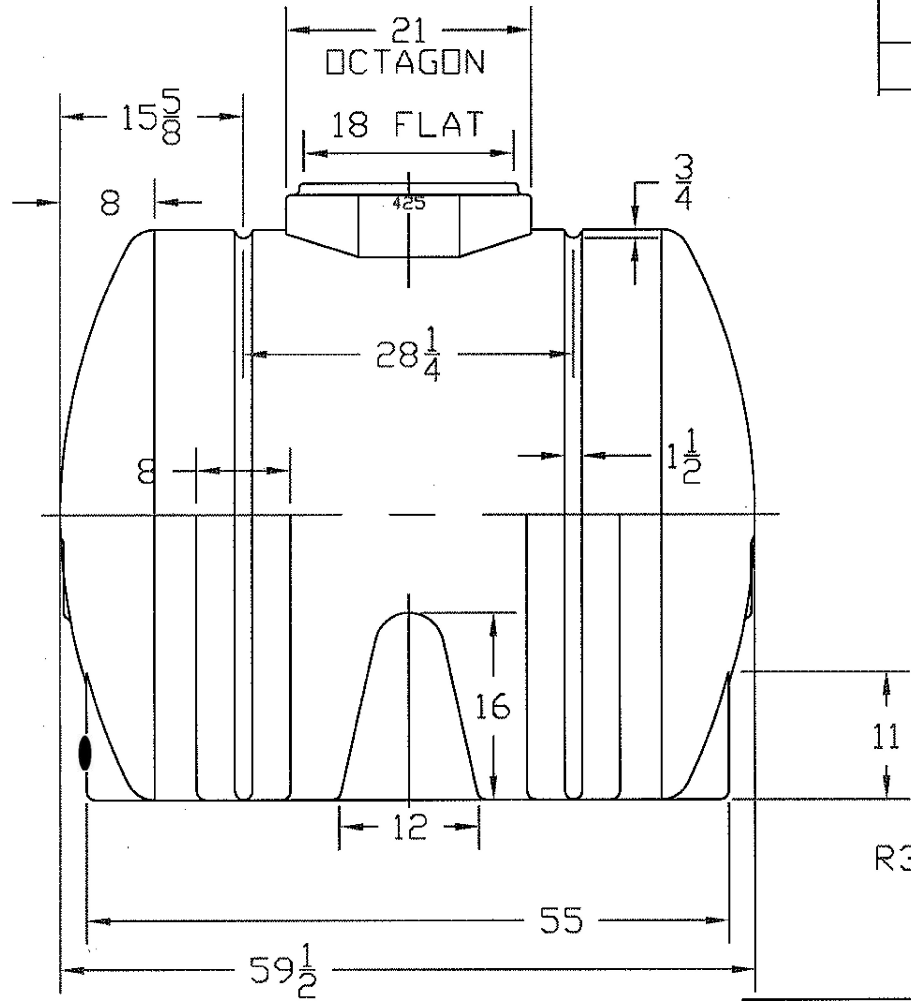


REVISIONS				
ZONE	REV	DESCRIPTION	DATE	APPROVED



NOTE: GALLONAGE MARKS ONE END

HL-42016

AGRICO PLASTIQUES.COM
450-471-2772

425 GAL HORIZONTAL TANK

JTP	10JUL01	SIZE A	FSCM NO.	DWG NO.	REV
SCALE 1/16			SHEET		