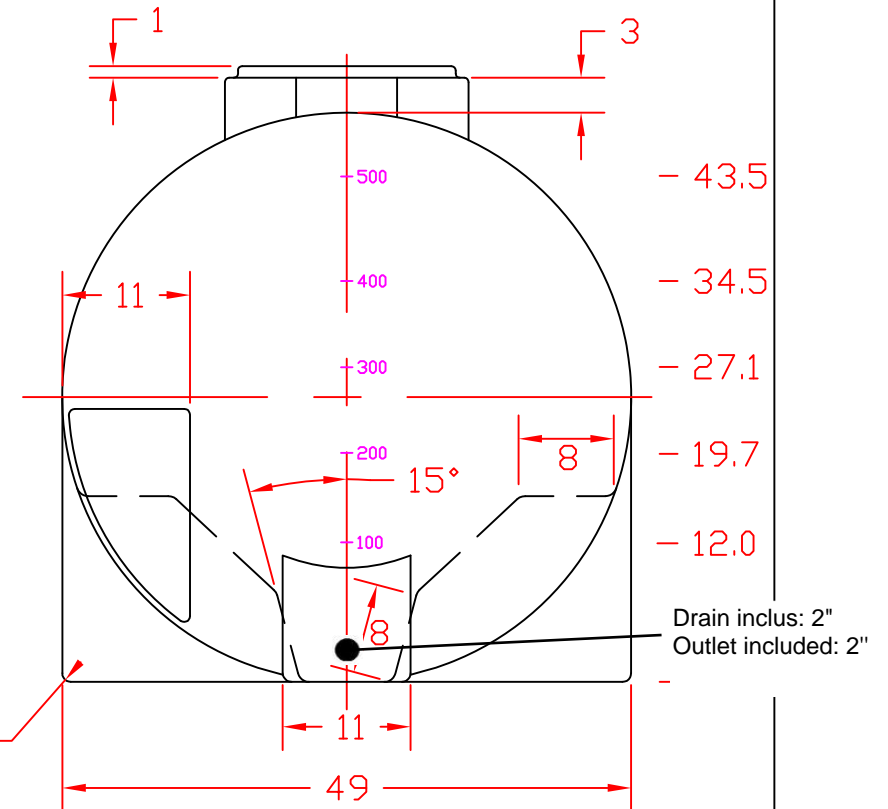
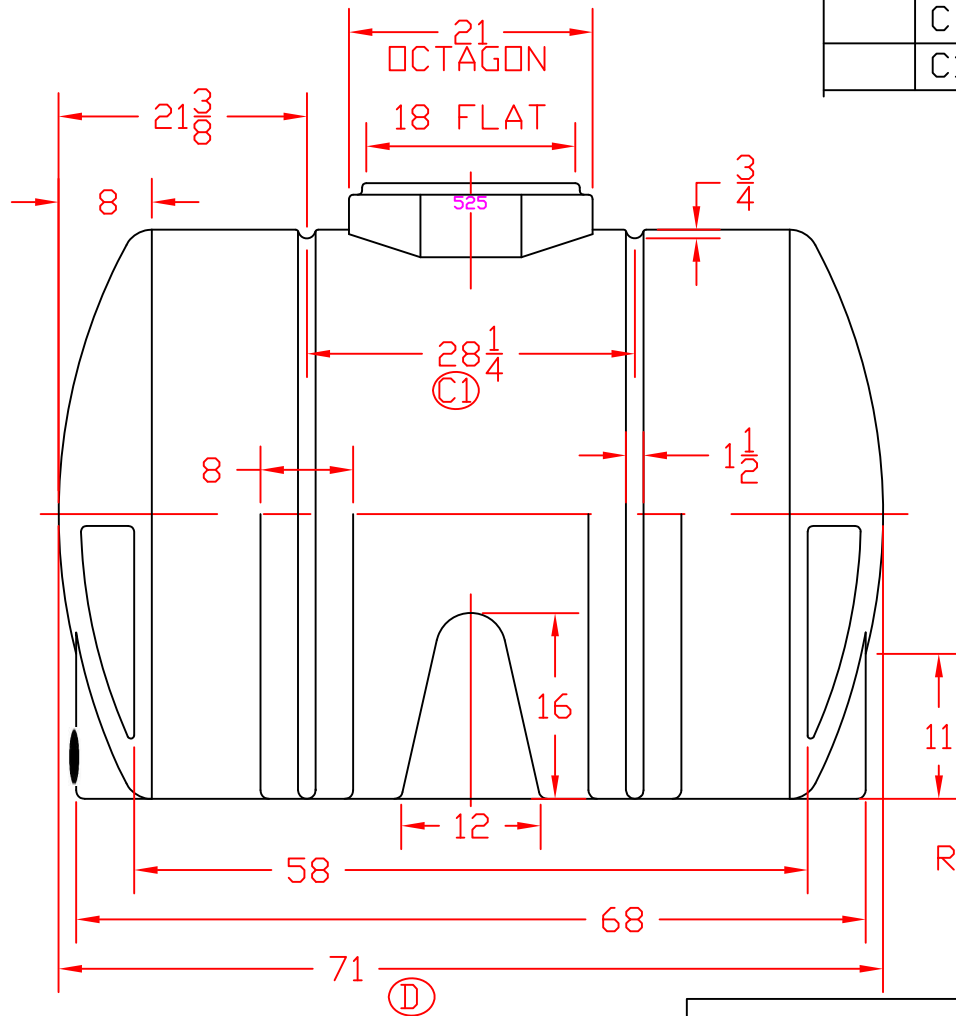


ZONE	REV	DESCRIPTION	DATE
	D	WAS 72 1/2	03DEC04

REVISIONS				
ZONE	REV	DESCRIPTION	DATE	APPROVED
	C	REDRAWN	10FEB97	
	C1	CORRECTED, WAS 27-1/2	23SEP02	



Drain inclus: 2"
Outlet included: 2"

NOTE: GALLONAGE MARKS BOTH ENDS

HL-40181		AGRICO-PLASTIQUES.COM 450-471-2772		
		525 GAL HORIZONTAL TANK		
JTP	10FEB97	SIZE A	FSCM NO.	DWG NO.
		SCALE 1/16	SHEET	