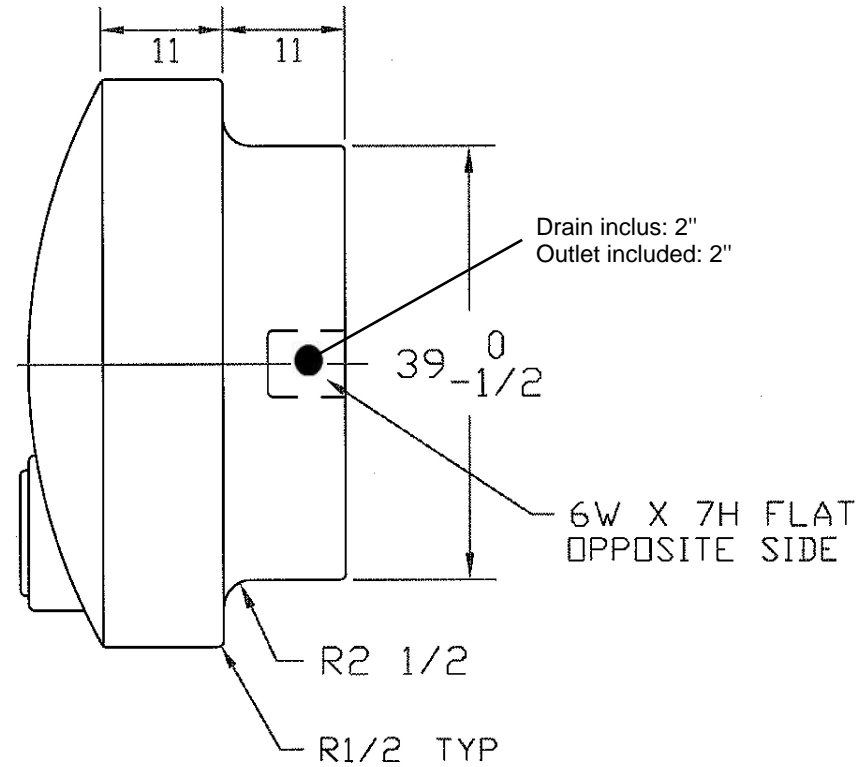
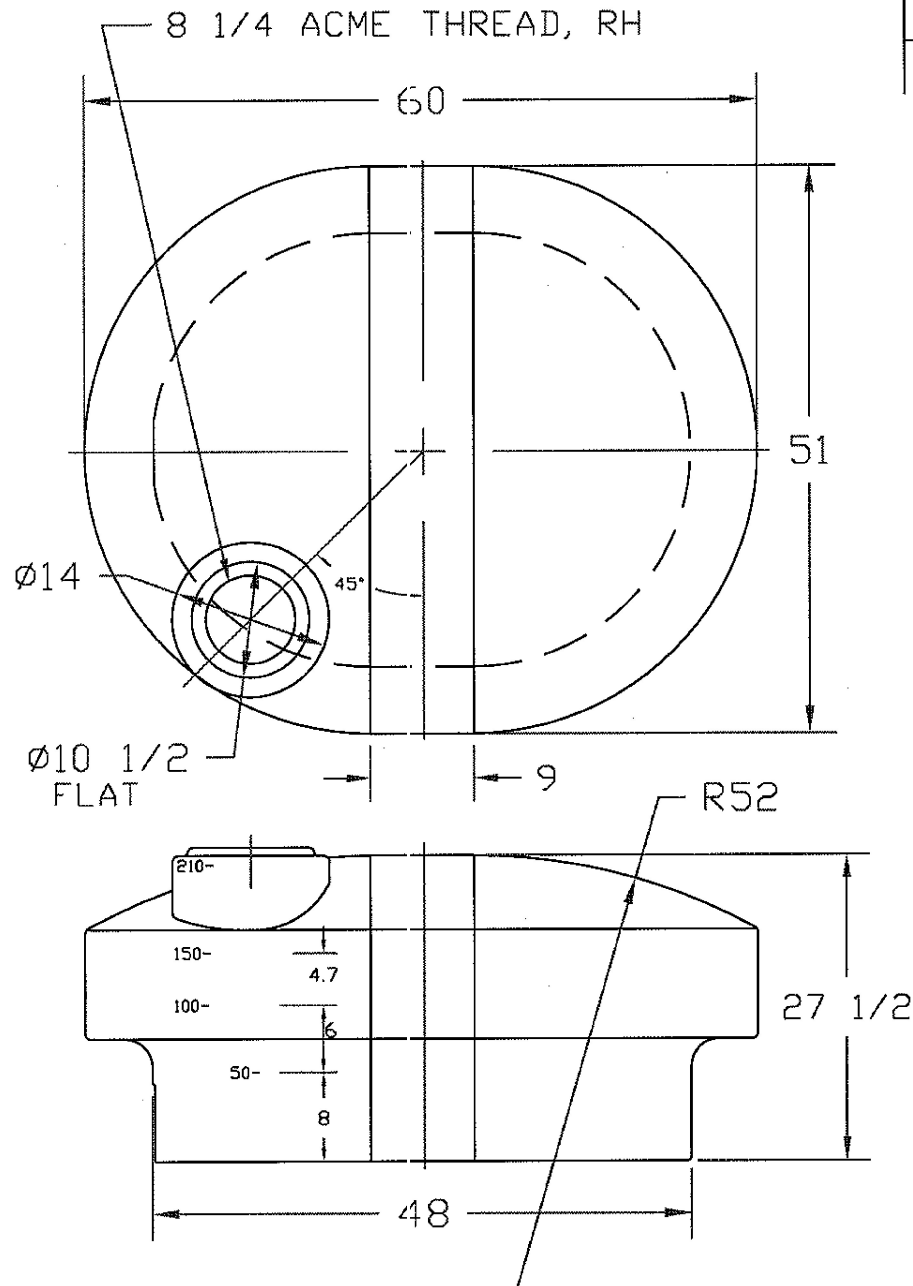


REVISIONS

ZONE	REV	DESCRIPTION	DATE	APPROVED
	B	REDRAWN	2APR96	



AGRICO PLASTIQUES  
450-471-2772

210 GALLON PICKUP  
TANK

SIZE A	FSCM NO.	DWG NO. PUN40300	REV B
SCALE 1/16		JTP 2APR96	SHEET