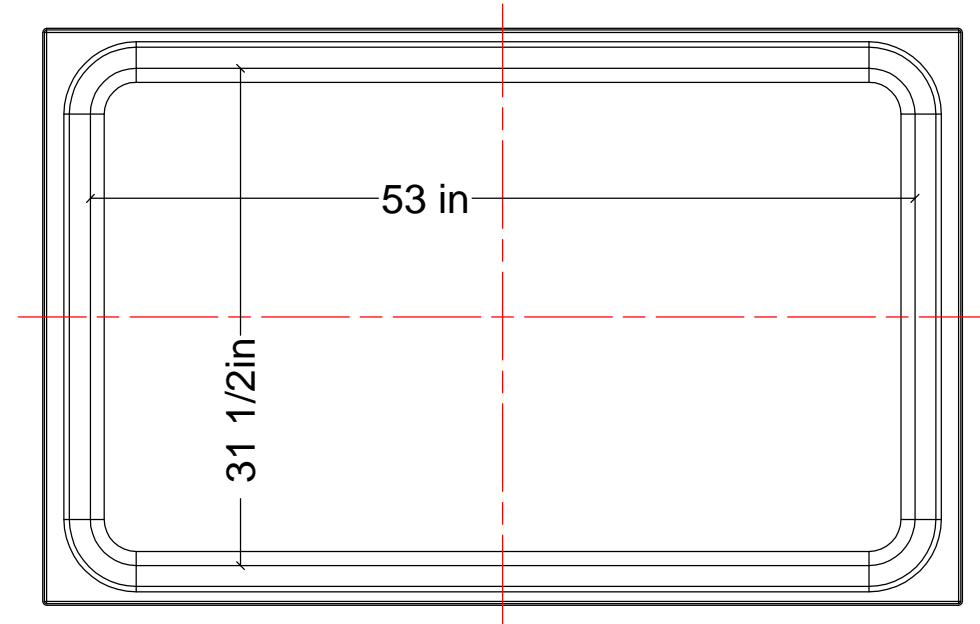


MATERIALS LIST

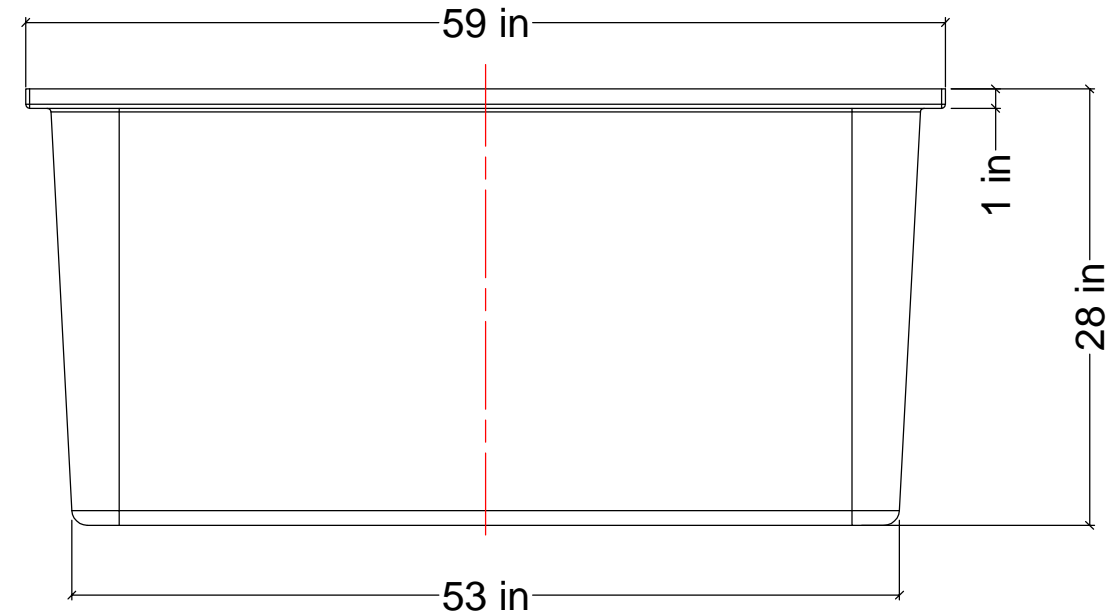
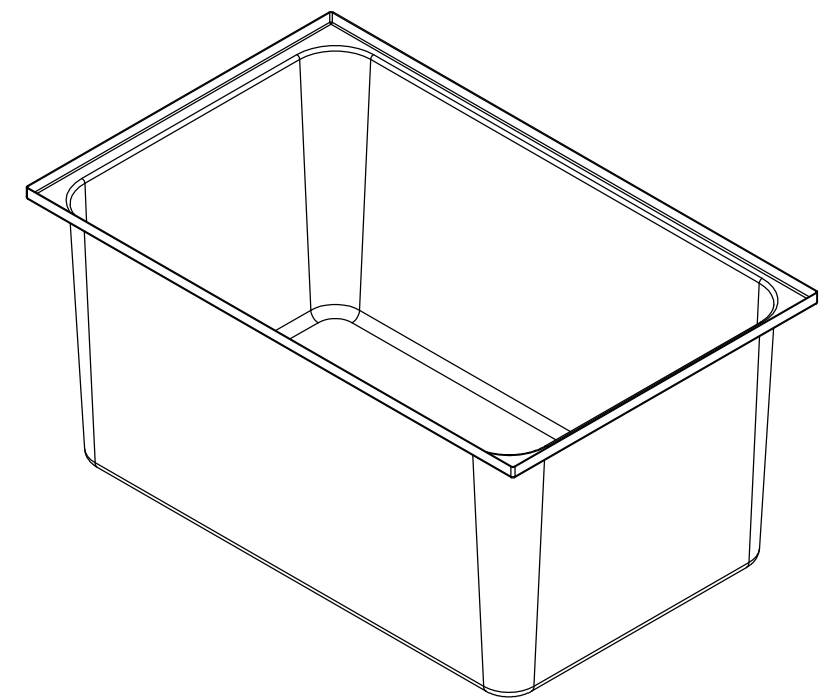
ITEMS	DESCRIPTION	NOTES
A	IRD-165 SECONDARY CONTAINMENT BASIN	

NOTES:

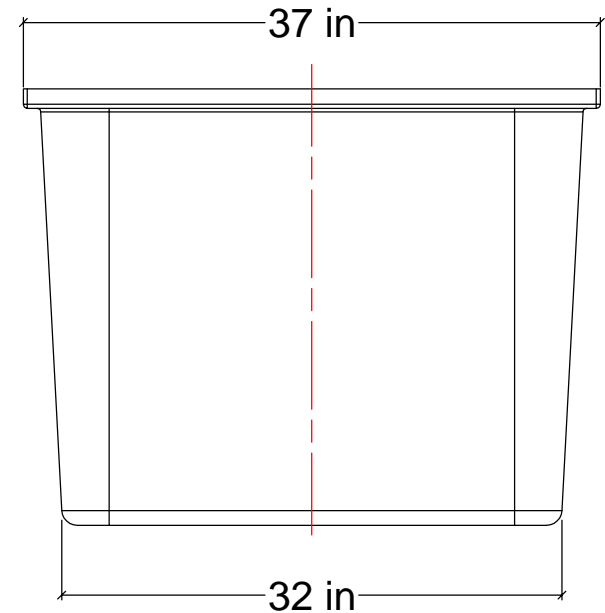
1. TANK IS MANUFACTURED TO ASTM-D-1998 STANDARD.
2. TANK CAPACITY: 165 I.G. (750 L).
3. ALL DIMENSIONS ARE APPROXIMATE.



TOP VIEW



FRONT VIEW



SIDE VIEW

AGRICO PLASTIQUES
 450-471-2772
WWW.AGRICOPLASTIQUES.COM
 RÉSERVOIR IRD165
 CAPACITÉ DE:
 165 GALLONS IMPÉRIAUX
 198 GALLONS US
 750 LITRES