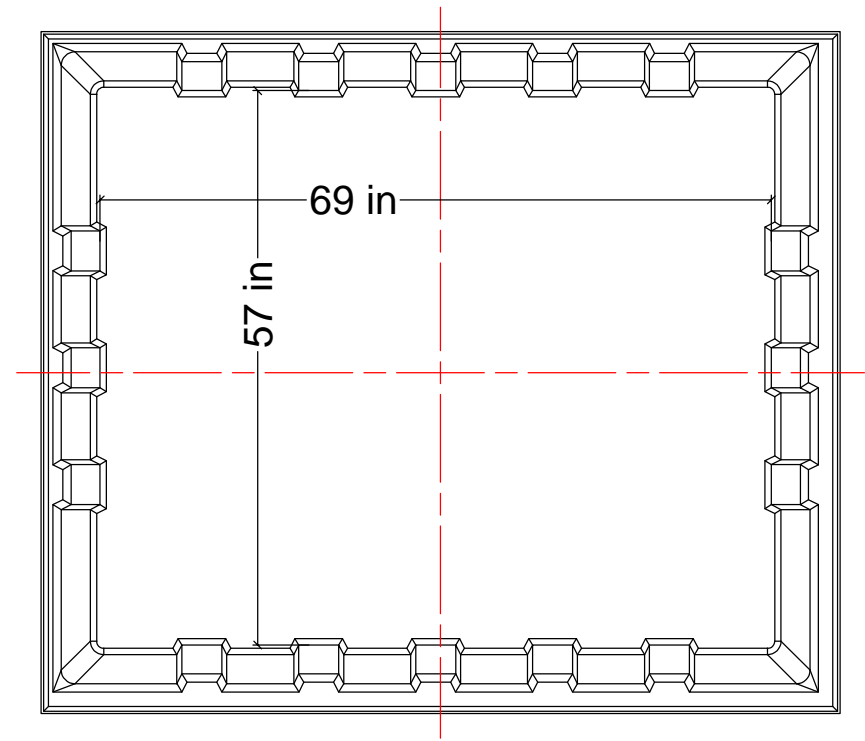


### MATERIALS LIST

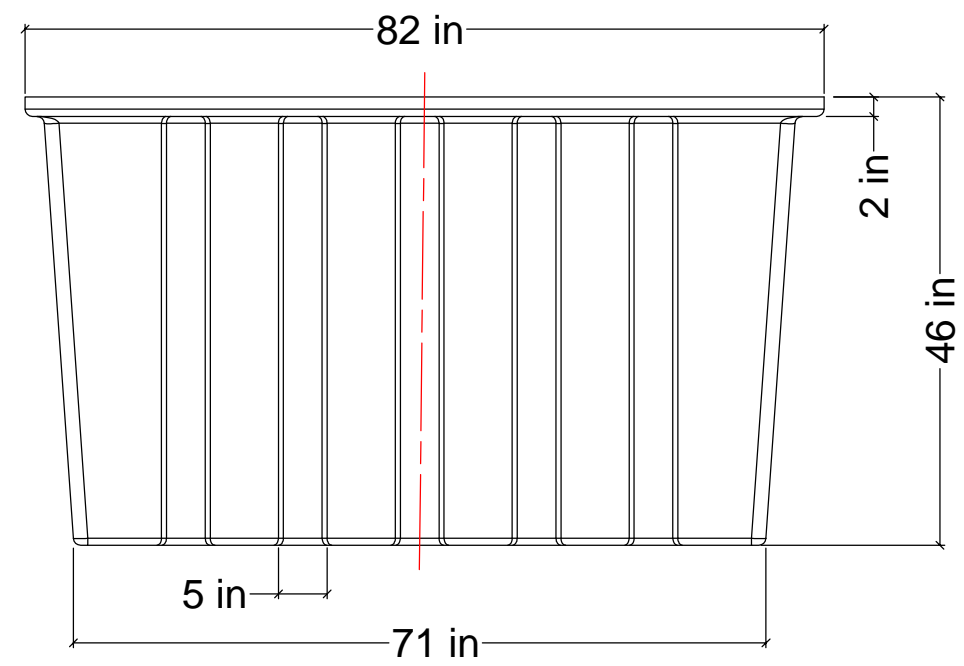
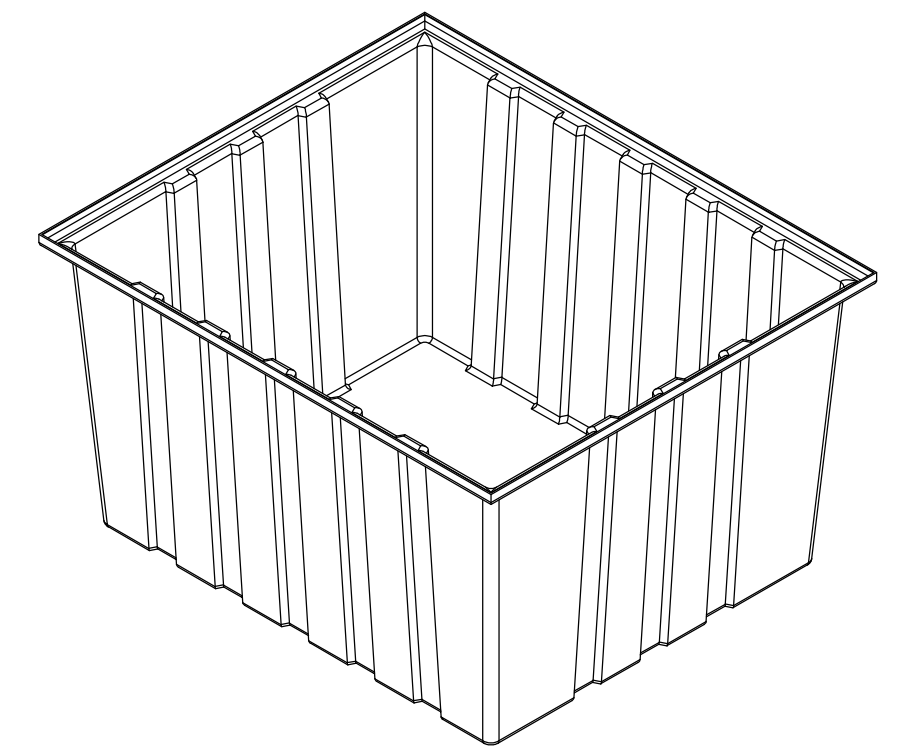
ITEMS	DESCRIPTION	NOTES
A	IRD-800 SECONDARY CONTAINMENT BASIN	

**NOTES:**

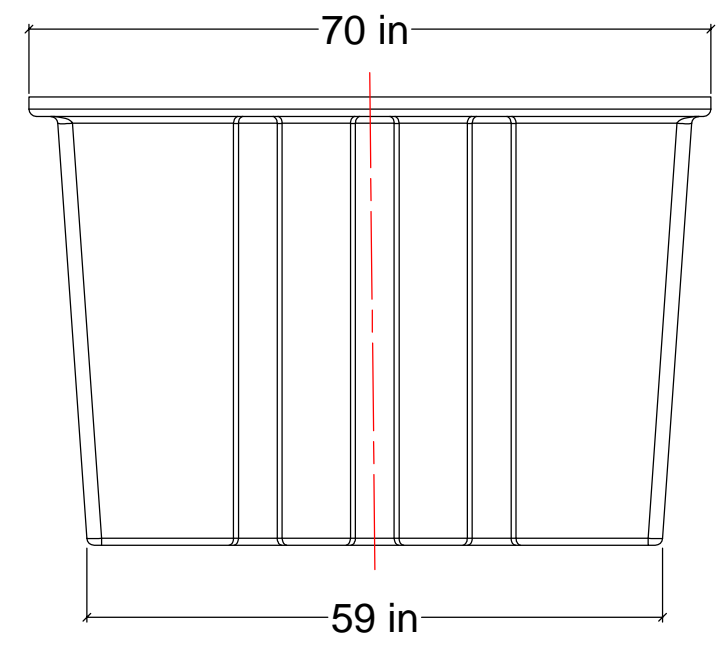
1. TANK IS MANUFACTURED TO ASTM-D-1998 STANDARD.
2. TANK CAPACITY: 800 I.G. (3600 L).
3. ALL DIMENSIONS ARE APPROXIMATE.



TOP VIEW



FRONT VIEW



SIDE VIEW

**AGRICO PLASTIQUES**  
 450-471-2772  
[WWW.AGRICOPLASTIQUES.COM](http://WWW.AGRICOPLASTIQUES.COM)  
 RÉSERVOIR IRD800  
 CAPACITÉ DE:  
 800 GALLONS IMPÉRIAUX  
 961 GALLONS US  
 3637 LITRES