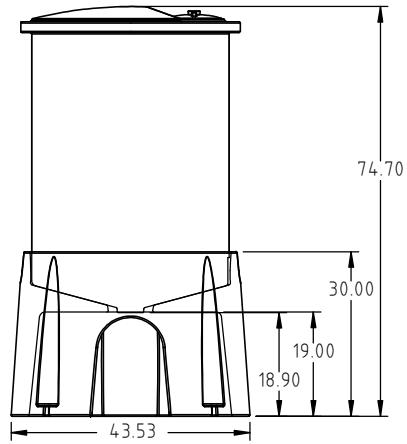
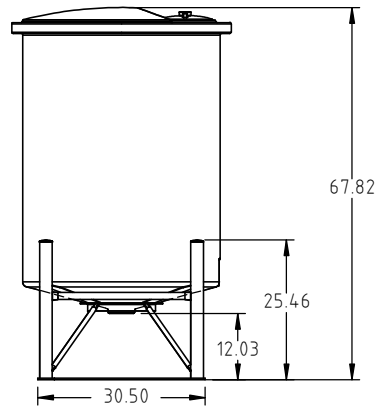


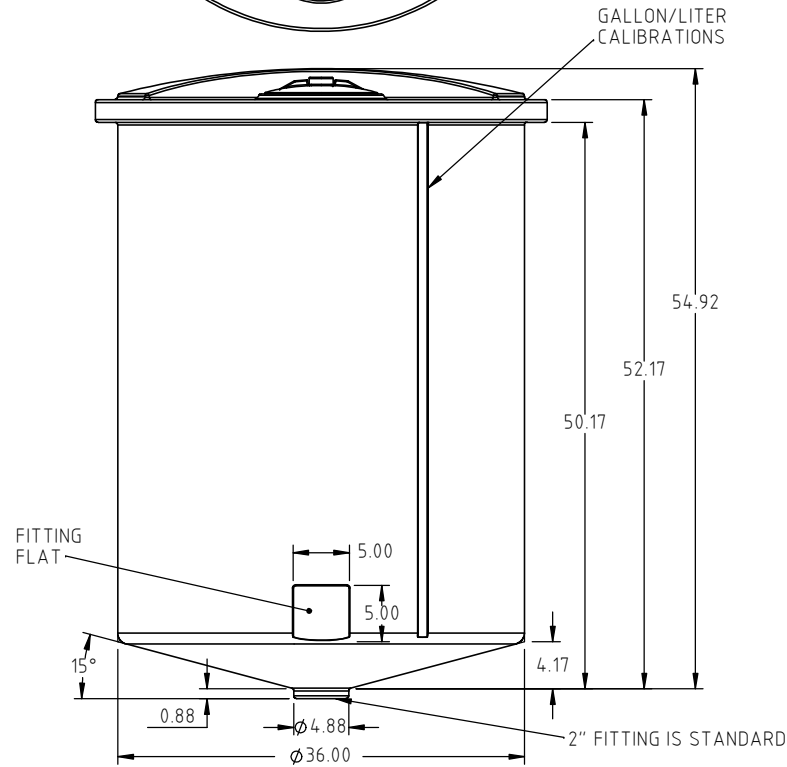
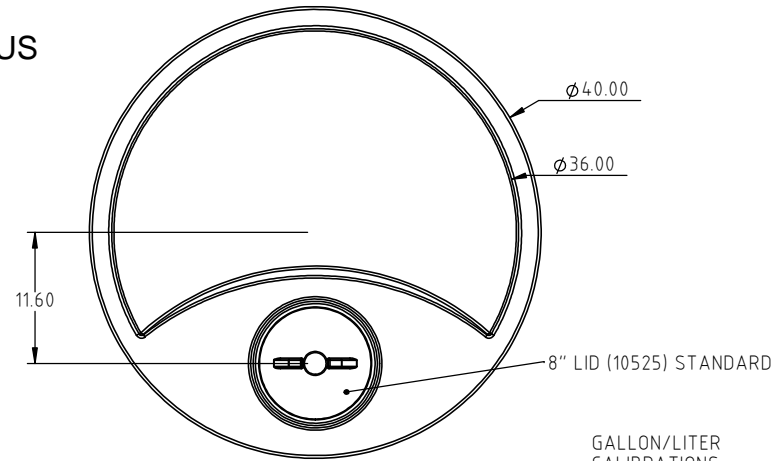
RÉSERVOIR CONIQUE FERMÉ DE 200 GALLONS US



OC036-STP POLY STAND



CB036-15ST METAL STAND



REV	DESCRIPTION	BY / DATE	CCN	DRAWN / DATE ADH 7/12/10	MATERIAL 10420
				APPROD. / DATE REH 4/18/11	
ALL DIMENSIONS ARE IN DECIMAL INCHES TOLERANCES UNLESS OTHERWISE SPECIFIED		THIRD ANGLE PROJECTION ANSI 14.5M		SHOT WEIGHT: 56.00 LBS	NOTES: 1.) 0.20 WALL THICKNESS
POLYETHYLENE ±1% @ 68°F	METAL DECIMAL ± .125" FRACTION ± 1/4" ANGLE ± 1°			SHIPPING WEIGHT: 58.00 LBS	
				FINISH:	

AGRICO PLASTIQUES
450-471-2772
WWW.AGRICOPLASTIQUES.COM

DESCRIPTION 36" DIA. X 200 GALLON CONE BOTTOM

SCALE N.S. PART NO. CB020036