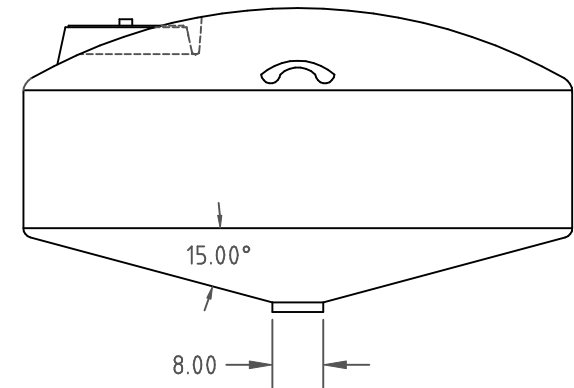
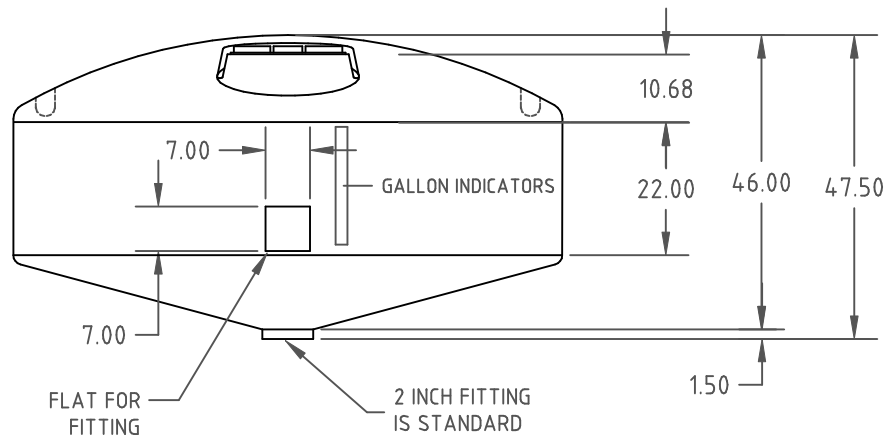
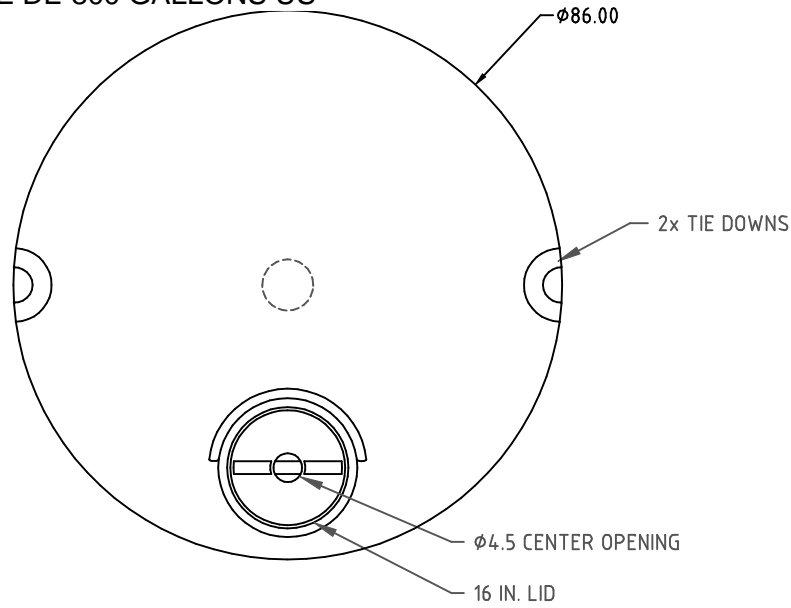


RÉSERVOIR CONIQUE FERMÉ DE 800 GALLONS US



		DRAWN / DATE DHJ 10/27/09		MATERIAL POLYETHYLENE		<p style="text-align: center;"><b>AGRICO PLASTIQUES</b> 450-471-2772 <a href="http://WWW.AGRICOPLASTIQUES.COM">WWW.AGRICOPLASTIQUES.COM</a></p>	
		APPRD. / DATE REH 11/2/09					
REV	DESCRIPTION	BY / DATE	CCN				
ALL DIMENSIONS ARE IN DECIMAL INCHES TOLERANCES UNLESS OTHERWISE SPECIFIED		THIRD ANGLE PROJECTION ANSI 14.5M		SHOT WEIGHT: 180 LBS.		NOTES: 1. 25 WALL	
POLYETHYLENE		METAL		SHIPPING WEIGHT: 182 LBS.		DESCRIPTION 800 GALLON X 86" CONE BOTTOM TANK	
$\pm 1\%$ @ 68° F		DECIMAL $\pm .125$ " FRACTION $\pm 1/4$ " ANGLE $\pm 1^\circ$		FINISH:		SCALE N.S.	PART NO. CB080086