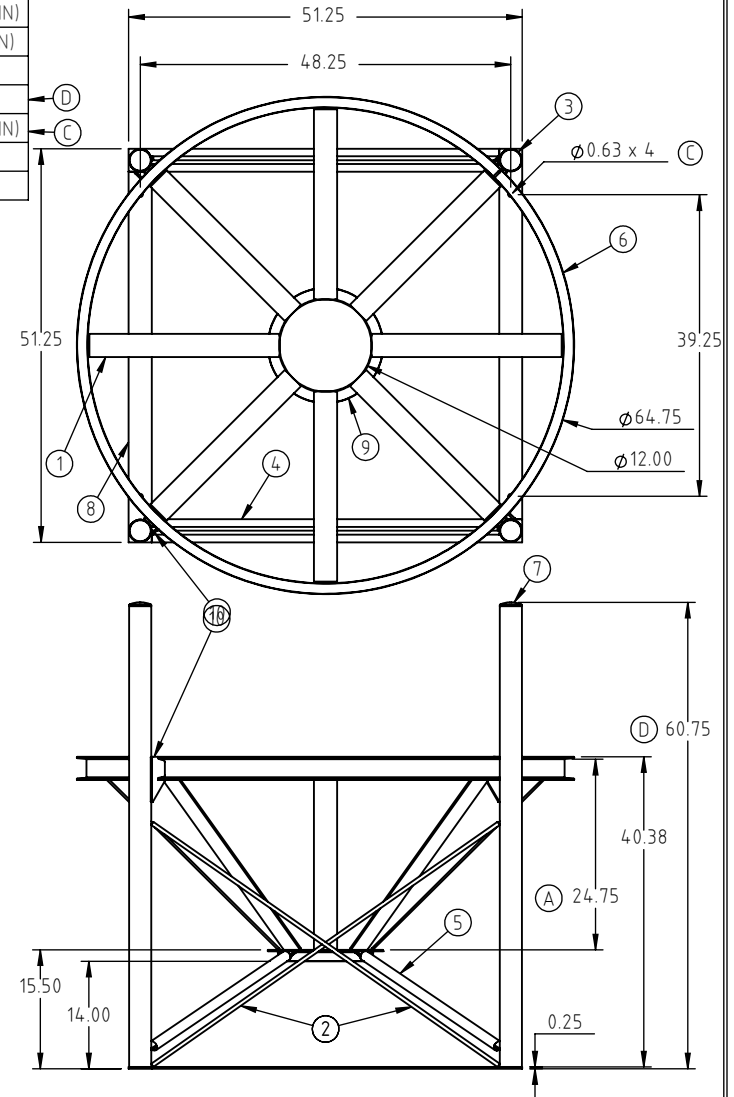
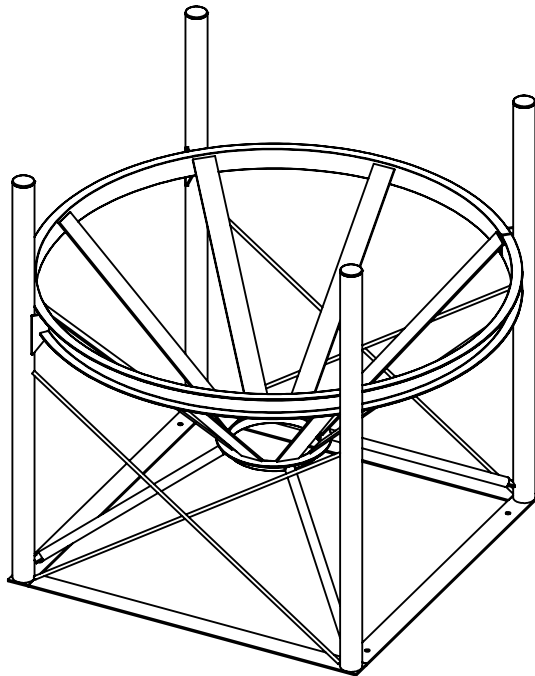


SUPPORT POUR RÉSERVOIR CONIQUE

CB06445ST

D

KEY	PART NUMBER	MATERIAL	DESCRIPTION	QTY.
1	CB064-45ST-1	B02500X30000	1/4 X 3 FLAT BAR	8 @ 34.875 IN (279 IN)
2	CB064-45ST-2	R05000	1/2" MILD STEEL ROD	4 @ 55 IN (220 IN)
3	CB064-45ST-3	P25000	2 1/2" SIZE TUBING	4 @ 60 IN (240 IN)
4	CB064-45ST-4	B02500X30000	1/4 X 3 FLAT BAR	2 @ 48.25 IN (96.5 IN)
5	CB064-45ST-5	T1000X01090	1" OD ROUND MILD X .109	4 @ 29.25 IN (117 IN)
6	CB064-45ST-6	C03X41	3" MILD STEEL CHANNEL	218 IN
3	12688	62202	2-1/2" PIPE PLUG	4
8	CB064-45ST-8	B02500X30000	1/4 X 3 FLAT BAR	2 @ 48.25 IN (96.5 IN)
9	RAR-12	RAR-12	ROLLED ANGLE, 12" PLAIN	1
10	SJ10306	S-2500	CB STAND BRACKET	4

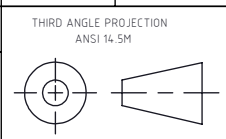


D	12688 WAS CB064-45ST-7, 60.75 WAS 60.25	ADH 6/18/09	1888
C	HOLES ADDED	ADH 1/16/08	1566
B	TOLERANCE WAS 1% AT 68°F	GWC 3/8/07	
A	ADDED B.O.M. CHANGED 40 TO 40.38	NVE 5/16/06	
REV	DESCRIPTION	BY / DATE	CCN

DRAWN / DATE	MATERIAL
ADH 6/18/07	
APPROD. / DATE	
REH 7/18/07	

**AGRICO PLASTIQUES**  
 450-471-2772  
[WWW.AGRICOPLASTIQUES.COM](http://WWW.AGRICOPLASTIQUES.COM)

ALL DIMENSIONS ARE IN DECIMAL INCHES  
 TOLERANCES UNLESS OTHERWISE SPECIFIED  
 POLYETHYLENE  
 ±1% @ 68°F



SHOT WEIGHT:  
 SHIPPING WEIGHT:  
 FINISH:  
 NOTES:

DESCRIPTION	CB, 1000 OR 1490 GAL-45 DEG, STAND
SCALE	N.S.
PART NO.	CB06445ST