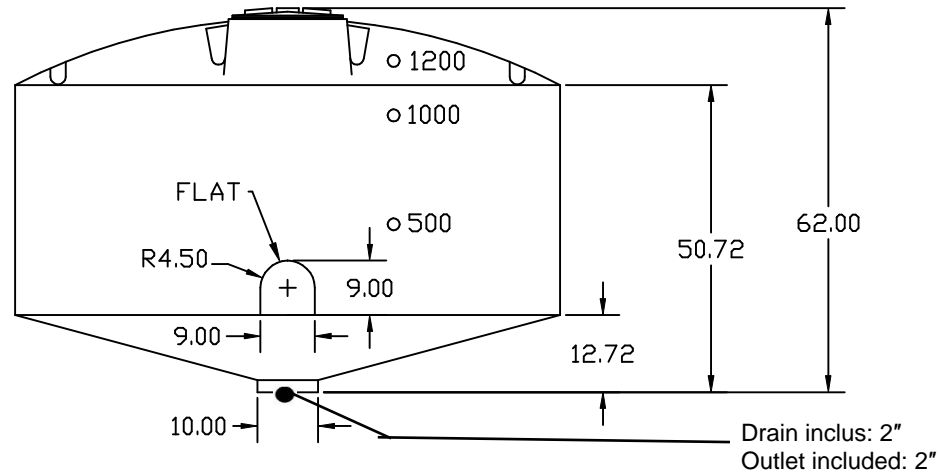
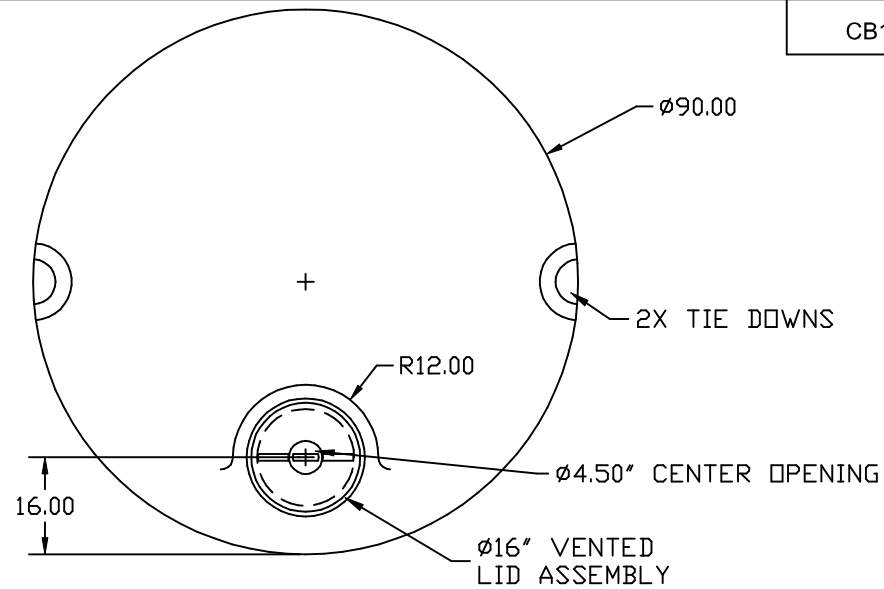


RÉSERVOIR CONIQUE FERMÉ DE 1200 GALLONS US

CB120090

A

1. SPECIFIC GRAVITY IS 1.75
2. 1 PIECE ROTATIONALLY MOLDED
3. TRANSLUCENT
4. FDA APPROVED RESIN
5. CALIBRATED IN GALLONS
6. THREE YEAR WARRANTY
7. UV STABILIZED
8. MIXER OR PUMP MOUNT ON REQUEST



RESERVOIR CONIQUE FERMÉ DE 1200 GALLONS

				DRAWN / DATE DHJ 3/2/95	MATERIAL	<b>AGRICO PLASTIQUES</b> 450-471-2772 <a href="http://WWW.AGRICOPLASTIQUES.COM">WWW.AGRICOPLASTIQUES.COM</a>	
A	ISOLATED TANK FROM STAND	5/23/06	NVE	APPRD. / DATE REH 4/18/07	HDPE OR EQUIVALENT REFERENCE MATERIAL DATA SHEET FOR SPECIFIC PROPERTIES.		
REV	DESCRIPTION	DATE	APPRD			1200 GALLON $\phi 90$ " 15° CONE BOTTOM TANK	
ALL DIMENSIONS ARE IN DECIMAL INCHES TOLERANCES UNLESS OTHERWISE SPECIFIED $\pm 1\% @ 68^\circ F$				THIRD ANGLE PROJECTION ANSI 14.5M 	NOTES: 1. WHITE OR YELLOW TANK COLOR 2. SHOT WEIGHT 240 LBS.	SCALE N.S.	PART NO. CB120090