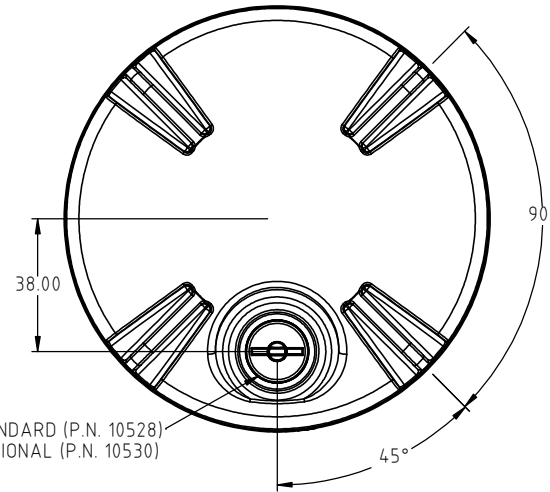
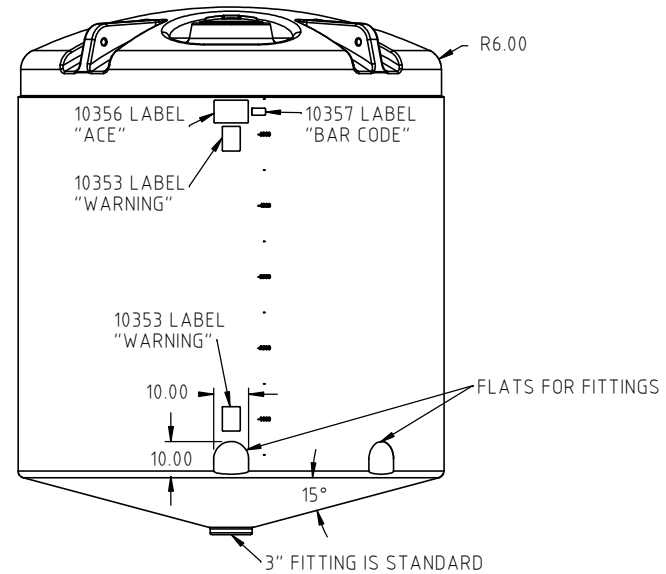
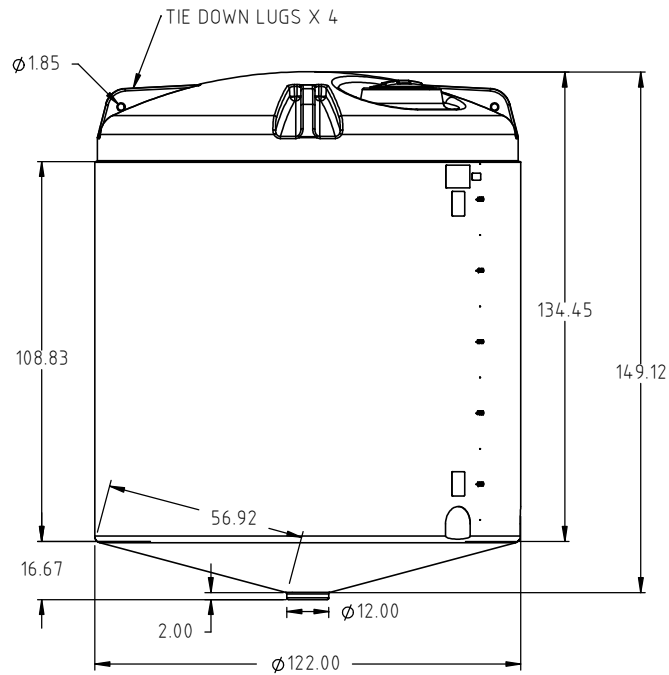


RÉSERVOIR CONIQUE FERMÉ DE 6000 GALLONS US

CB6000122



16" LID ASSEMBLY STANDARD (P.N. 10528)
22" LID ASSEMBLY OPTIONAL (P.N. 10530)



				DRAWN / DATE DHJ 1/26/12	MATERIAL
				APPRD. / DATE REH 2/11/14	10538
REV	DESCRIPTION	BY / DATE	CCN		
ALL DIMENSIONS ARE IN DECIMAL INCHES TOLERANCES UNLESS OTHERWISE SPECIFIED		THIRD ANGLE PROJECTION ANSI 14.5M		SHOT WEIGHT: 1600 LBS	NOTES: 1.) 0.76 NOM. WALL
POLYETHYLENE		METAL DECIMAL ± .125" FRACTION ± 1/4" ANGLE ± 1°		SHIPPING WEIGHT: 1602 LBS.	
±1% @ 68°F				FINISH:	

AGRICO PLASTIQUES
450-471-2772
WWW.AGRICOPLASTIQUES.COM

DESCRIPTION 6000 GALLON 122" x 15 DEG. CONE BOTTOM TANK	
SCALE N.S.	PART NO. CB6000122