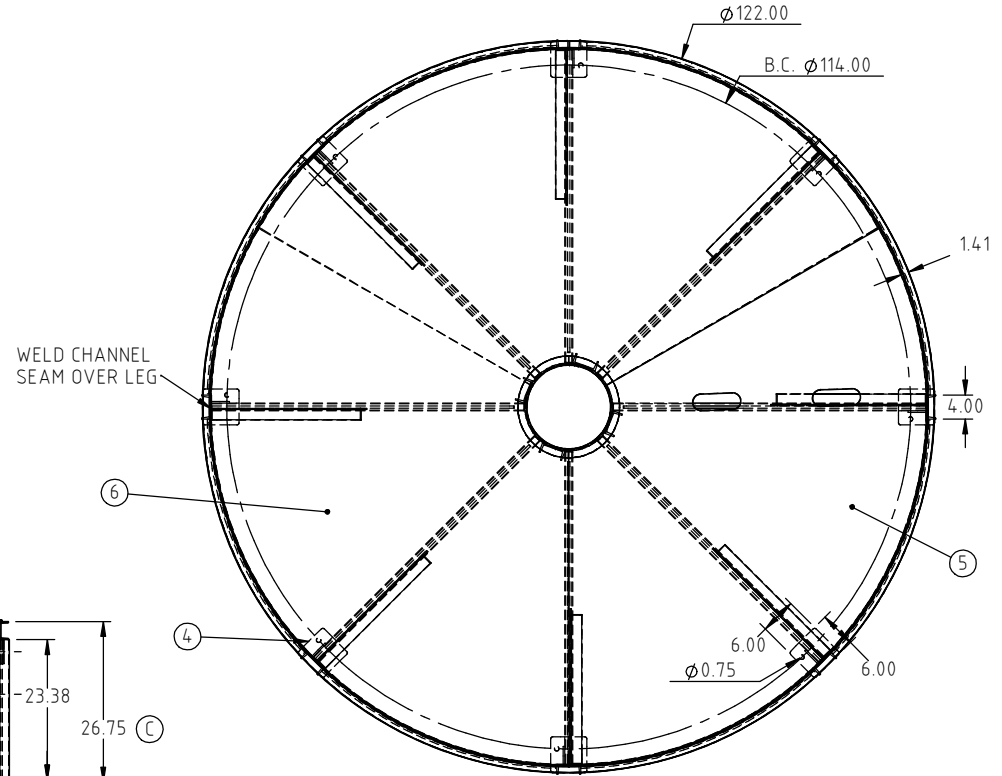
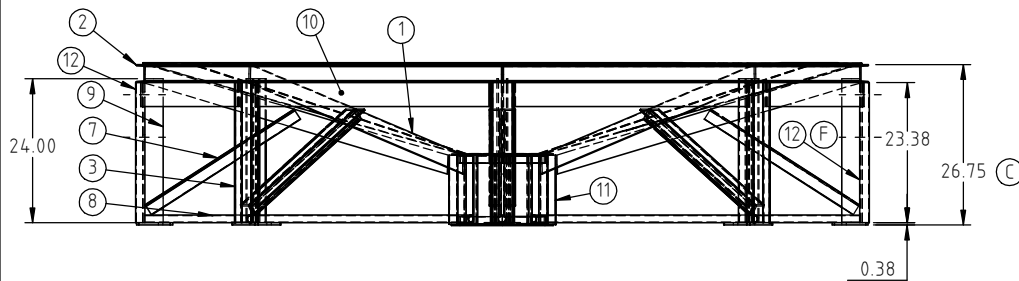


SUPPORT POUR RÉSERVOIR CONIQUE

CB12215ST

F

KEY	PART NUMBER	DESCRIPTION	QTY.	(F)
1	CB122-15ST-1	PAN SUPPORT STRAP	8	
2	CB122-15ST-2	CHANNEL RING	1	
3	CB122-15ST-3	STAND LEG	8	
4	12467	LEG PAD	8	
5	12474	PAN WITH HOLES	1	
6	12475	PAN	2	
7	CB122-15ST-9	ANGLE SUPPORT	8	
8	CB122-15ST-10	BASE PIPE	8	
9	CB122-15ST-11	LEG BRACE	8	
10	CB122-15ST-12	TOP BRACE	8	
11	12518	Ø14" CENTER STAND	1	
12	CB122-15ST-13	STAND LEG-POWDER COAT	2	



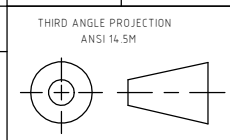
F	Holes for powder coating added to two legs component table updated, weight, finish added	ADH 7/22/11	2254
E	24" WAS 25"	ADH 1/22/09	1789
D	12518 WAS RAR-14 & CB122-15ST-6	ADH 12/7/07	1542
C	ADD ONE INCH TO OUTSIDE HEIGHT	DHJ 9/26/07	1466
B	PAN BOM INFORMATION UPDATED	ADH 8/30/07	1444
A	INCREASED DIAMETER	DHJ 5/31/07	
REV	DESCRIPTION	BY / DATE	CCN

DRAWN / DATE	MATERIAL
ADH 7/6/07	
APPROD. / DATE	
REH 7/18/07	

AGRICO PLASTIQUES
 450-471-2772
WWW.AGRICO-PLASTIQUES.COM

ALL DIMENSIONS ARE IN DECIMAL INCHES
 TOLERANCES UNLESS OTHERWISE SPECIFIED

POLYETHYLENE	METAL
±1% @ 68°F	DECIMAL ± .125" FRACTION ± 1/4" ANGLE ± 1°



SHOT WEIGHT:
 SHIPPING WEIGHT: 1020.00 LBS
 FINISH: POWDER COATING, BLACK TILE, 40012

NOTES:

DESCRIPTION	CONE BOTTOM STAND FOR Ø122" 15° TANKS	
SCALE	N.S.	PART NO. CB12215ST