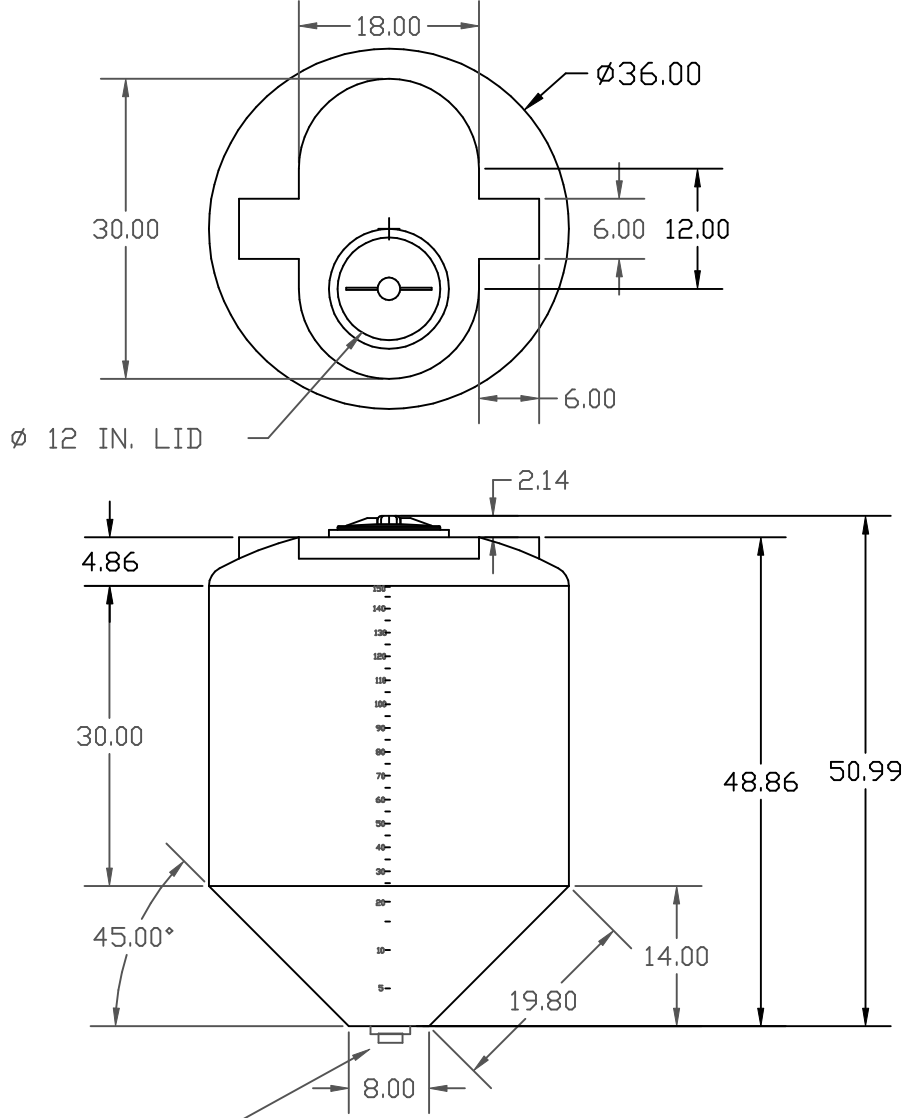


RÉSERVOIR CONIQUE FERMÉ DE 150 GALLONS US



2" B.H. FITTING IS STANDARD

		DRAWN / DATE DHJ 4/16/04		MATERIAL		<p style="text-align: center;"><b>AGRICO PLASTIQUES</b> 450-471-2772 <a href="http://WWW.AGRICOPLASTIQUES.COM">WWW.AGRICOPLASTIQUES.COM</a></p>	
A		APPRD. / DATE REH 4/18/07		HDPE OR EQUIVALENT REFERENCE MATERIAL DATA SHEET FOR SPECIFIC PROPERTIES.			
REV	DESCRIPTION	DATE	APPRD	NOTES:		CLIENT / DESCRIPTION	
	REMOVED STAND, CHANGED WEIGHT (64 TO 61)	5/11/06	NVE	1. .294 NOM. WALL 2. SHOT WEIGHT 61 LBS.		150 GALLON TANK WITH 45° CONE BOTTOM	
ALL DIMENSIONS ARE IN DECIMAL INCHES TOLERANCES UNLESS OTHERWISE SPECIFIED ± 1% @ 68° F				THIRD ANGLE PROJECTION ANSI 14.5M 		SCALE	PART NO.
						N.S.	<b>CB015036</b>