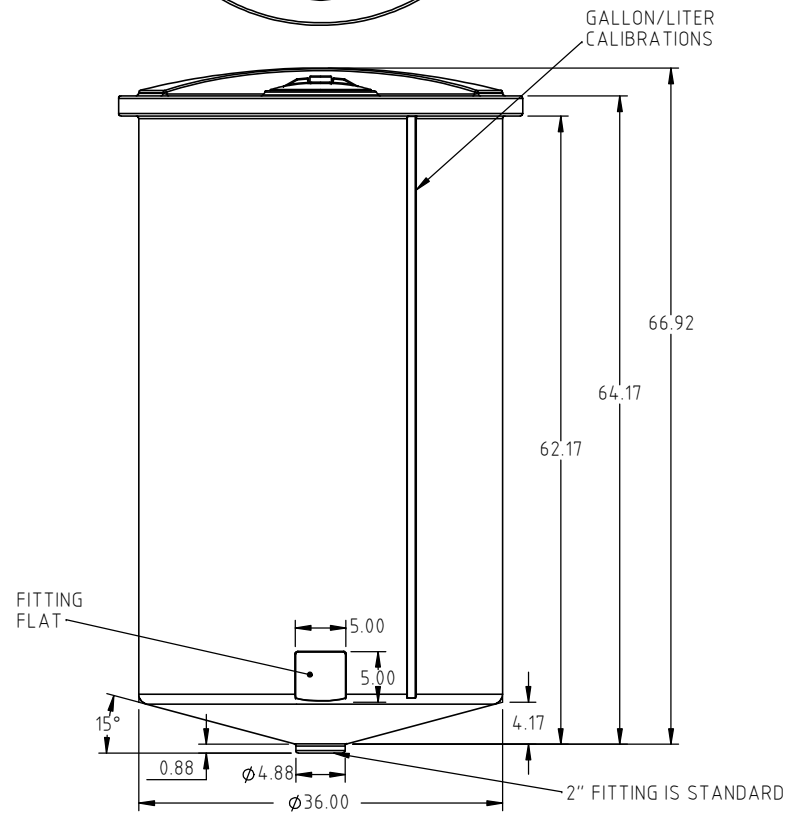
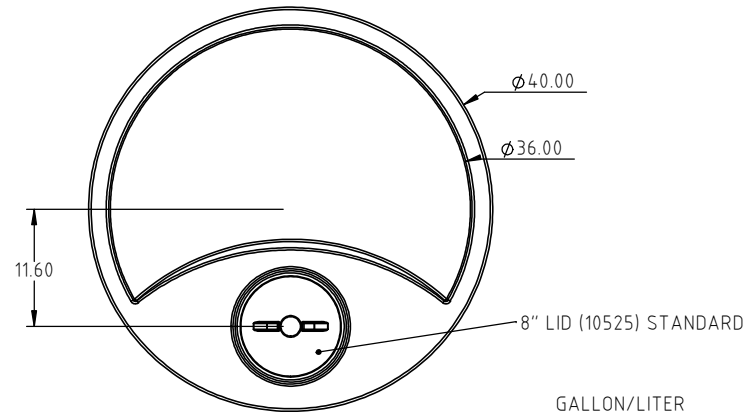
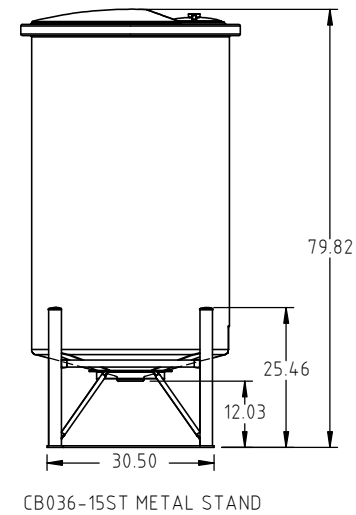
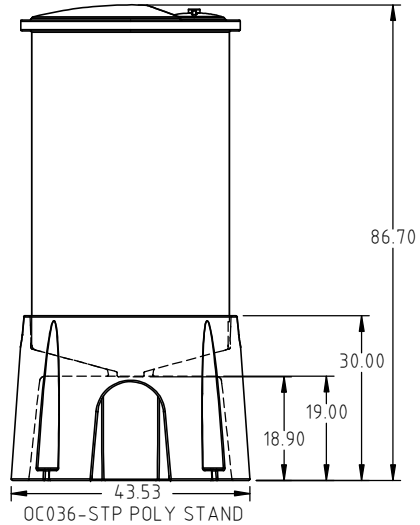


CB025036

RÉSERVOIR CONIQUE FERMÉ DE 250 GALLONS US



				DRAWN / DATE ADH 7/12/10	MATERIAL 10420
				APPRD. / DATE REH 4/18/11	
REV	DESCRIPTION	BY / DATE	CCN	SHOT WEIGHT: 74.00 LBS	NOTES: 1.) 0.22 WALL THICKNESS
				SHIPPING WEIGHT: 76.00 LBS	
				FINISH:	
ALL DIMENSIONS ARE IN DECIMAL INCHES TOLERANCES UNLESS OTHERWISE SPECIFIED		THIRD ANGLE PROJECTION ANSI 14.5M			
POLYETHYLENE ±1% @ 68°F		METAL DECIMAL ± .125" FRACTION ± 1/4" ANGLE ± 1°			

AGRICO PLASTIQUES
450-471-2772
WWW.AGRICOPLASTIQUES.COM

DESCRIPTION	36" DIA. X 250 GALLON CONE BOTTOM	
SCALE	N.S.	PART NO. CB025036