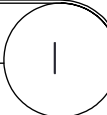
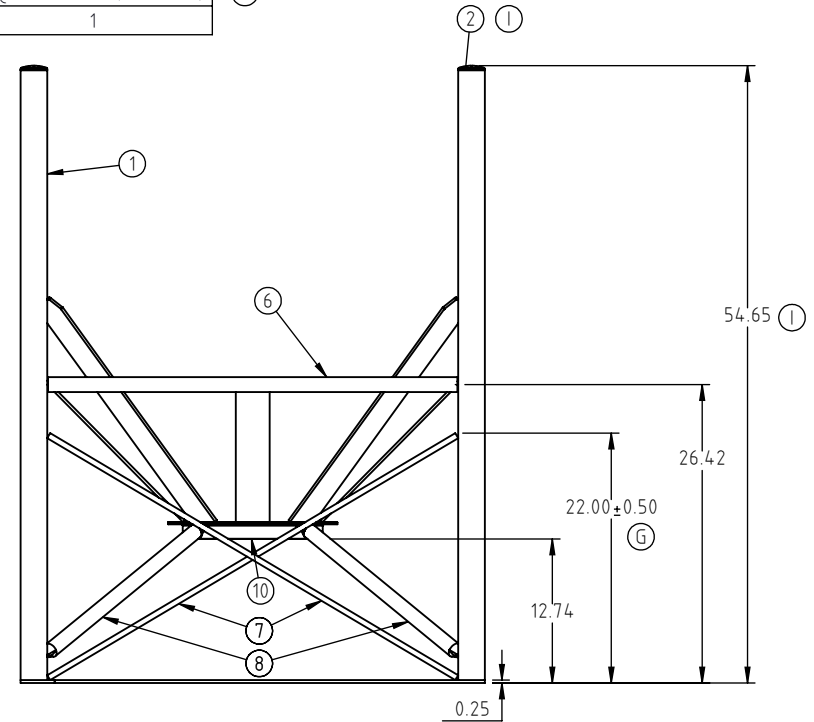
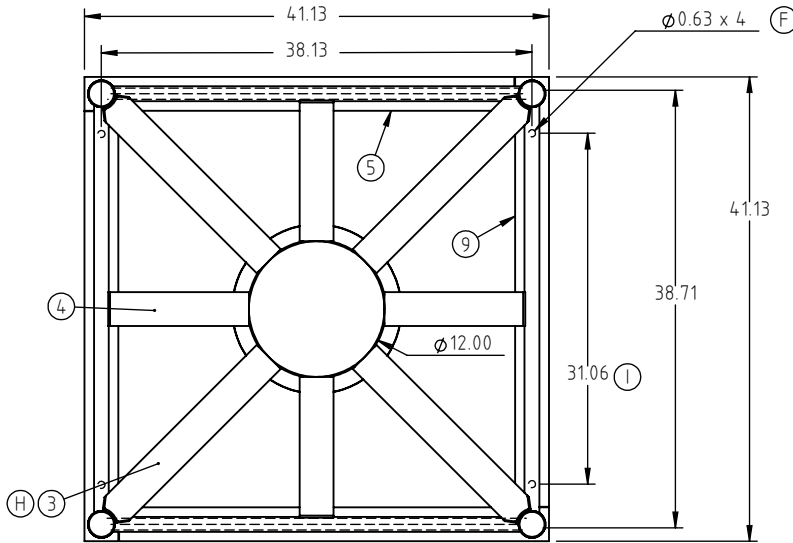


SUPPORT POUR RÉSERVOIR CONIQUE

CB05245ST



KEY	PART NUMBER	MATERIAL	DESCRIPTION	QTY.
1	CB052-45ST-1	P20000	2" SIZE TUBING	4 @ 54 IN (216 IN)
2	12687	62202	2" PIPE PLUG	4
3	CB052-45ST-3	S-2500	SHEET, 1/4" MILD STEEL	4 @ 28 X 3 IN (339 SI)
4	CB052-45ST-4	B02500X30000	1/4 X 3 FLAT BAR	4 @ 17.50 IN (70 SI)
5	CB052-45ST-5	B02500X30000	1/4 X 3 FLAT BAR	2 @ 38.0625 IN ( 76.125 IN)
6	CB052-45ST-6	P10000	1" SIZE TUBING	4 @ 36.25 IN (145 IN)
7	CB052-45ST-7	R05000	1/2" MILD STEEL ROD	4 @ 42 IN (168 IN)
8	CB052-45ST-8	T1000X01090	1" OD ROUND MILD X .109	4 @ 23 IN (92 IN)
9	CB052-45ST-9	B02500X30000	1/4 X 3 FLAT BAR	2 @ 38.0625 IN (76.125 IN)
10	RAR-12	RAR-12	ROLLED ANGLE, 12" PLAIN	1

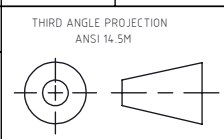


I	12687 WAS CB052-45ST-2, 31.06 WAS 31.13, 54.56 WAS 54.25	ADH 6/18/09	1888
H	SUPPORT STRAP DESIGN MODIFIED	ADH 2/6/09	1797
G	DIMENSION ADDED	ADH 3/27/08	1636
F	HOLES ADDED	ADH 1/16/08	1565
E	TOLERANCE WAS 1% @ 68 F	GWC 3/8/07	
D	ISOLATED STAND CHANGED PN	NVE 5/17/06	
C	CHANG PART NO. TO CB0345-52	10/5/04	
B	ADD FITTING INFORMATION	10/5/04	
A	FINALIZE PART	9/15/04	
REV	DESCRIPTION	BY / DATE	CCN

DRAWN / DATE	MATERIAL
ADH 6/18/07	
APPRD. / DATE	
REH 7/12/07	

**AGRICO PLASTIQUES**  
**450-471-2772**  
**WWW.AGRICOPLASTIQUES.COM**

ALL DIMENSIONS ARE IN DECIMAL INCHES  
 TOLERANCES UNLESS OTHERWISE SPECIFIED  
 POLYETHYLENE ±1% @ 68°F  
 METAL DECIMAL ± .125"  
 FRACTION ± 1/4"  
 ANGLE ± 1°



SHOT WEIGHT:	NOTES:
SHIPPING WEIGHT:	
FINISH:	

DESCRIPTION		52" DIA STAND FOR 345 OR 500 GAL CONE BOTTOM TANKS
SCALE	PART NO.	
N.S.	CB05245ST	