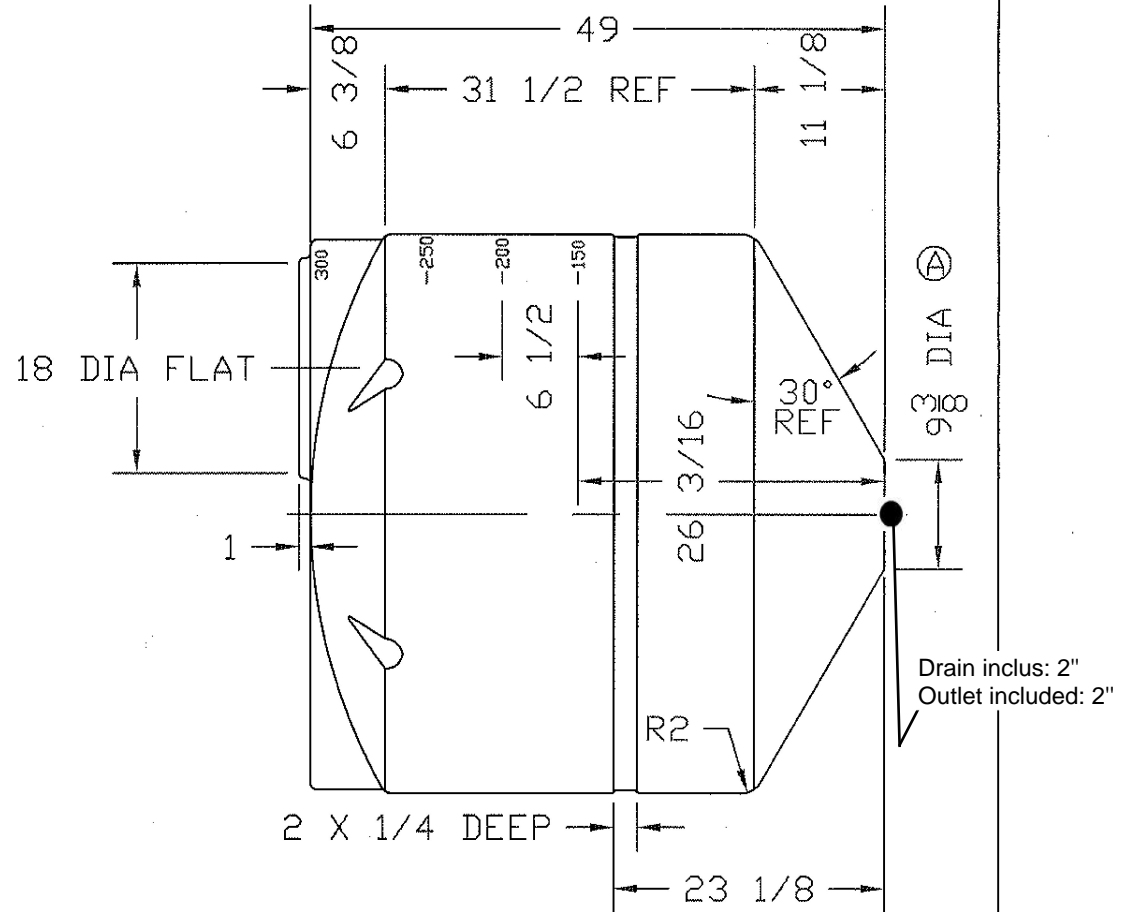
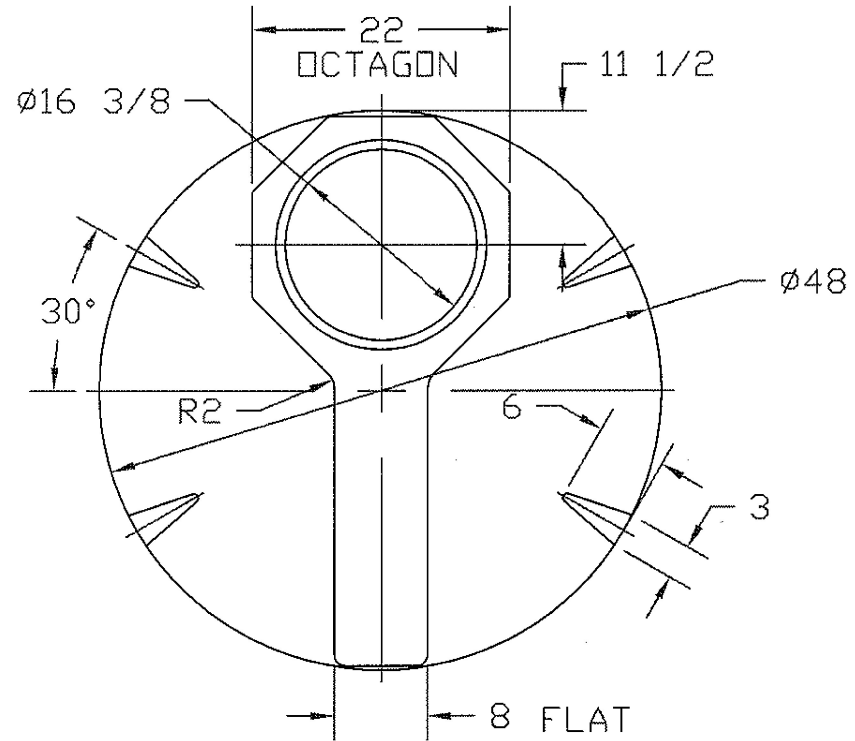


REVISIONS				
ZONE	REV	DESCRIPTION	DATE	APPROVED
	A	DIMENSION ADDED	24 JAN 05	



Drain inclus: 2"
Outlet included: 2"

CBN62343	AGRICO PLASTIQUES 450-471-2772			
	300 GALLON CONE BOTTOM TANK			
JTP 15APR97	SIZE A	FSCM NO.	DWG NO.	REV A
SCALE 1/16		SHEET		