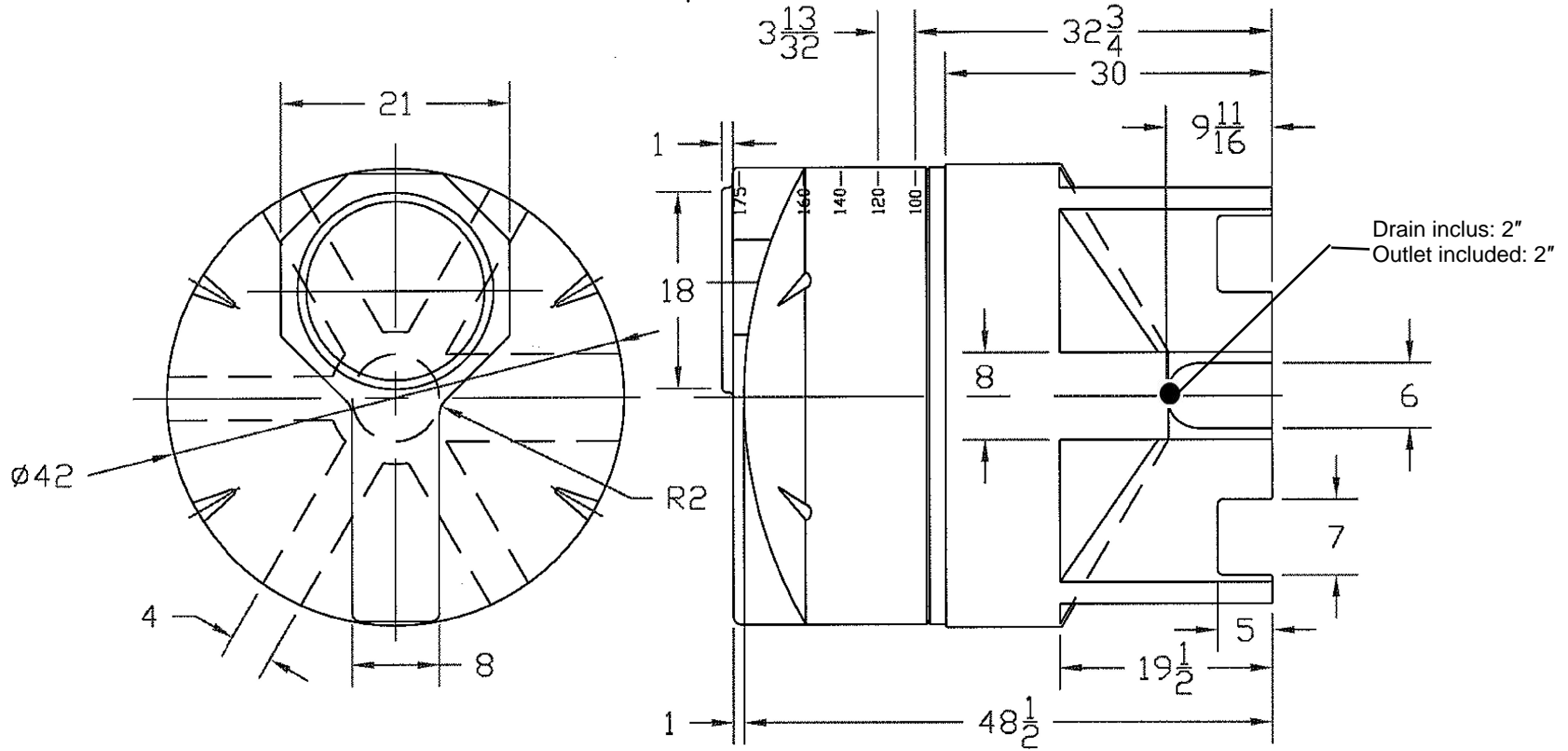


REVISIONS				
ZONE	REV	DESCRIPTION	DATE	APPROVED
	B	REDRAWN W/ 16" LID	23JAN02	



CBN60113		AGRICO PLASTIQUES 450-471-2772		
		175 GALLON CONE BOTTOM TANK WITH STAND		
JTP	23JAN02	SIZE A	FSCM NO.	DWG NO.
		SCALE 1/16		SHEET
				REV B