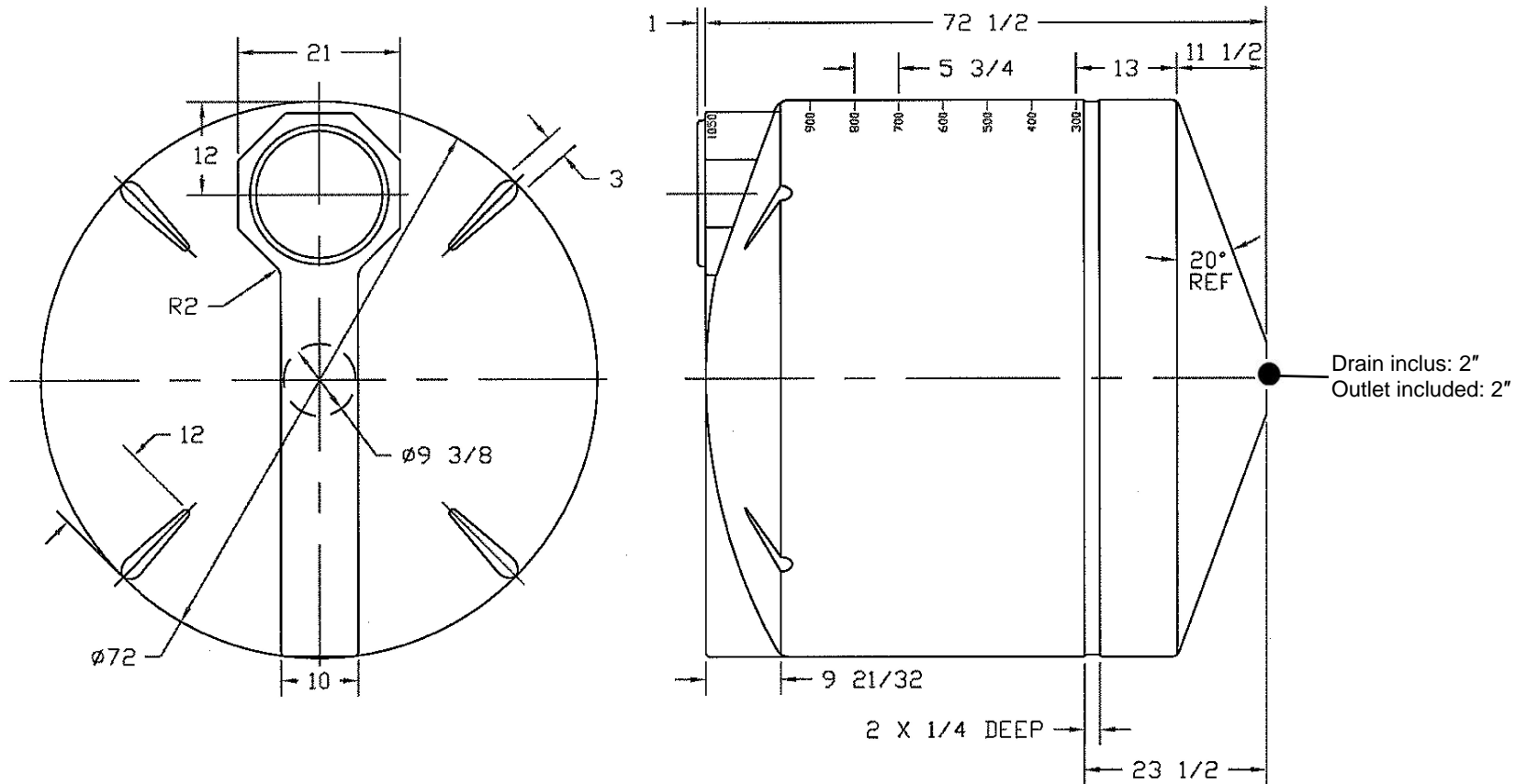


REVISIONS				
ZONE	REV	DESCRIPTION	DATE	APPROVED
	A	ADD TIEDWNS & MIXERMNT	06JUN97	



CBN40359	AGRICO PLASTIQUES 450-471-2772			
	1050 GALLON CONE BOTTOM TANK			
JTP	06JUN97	SIZE B	FSCM NO.	DWG NO.
		SCALE 1/16	SHEET	
				REV A