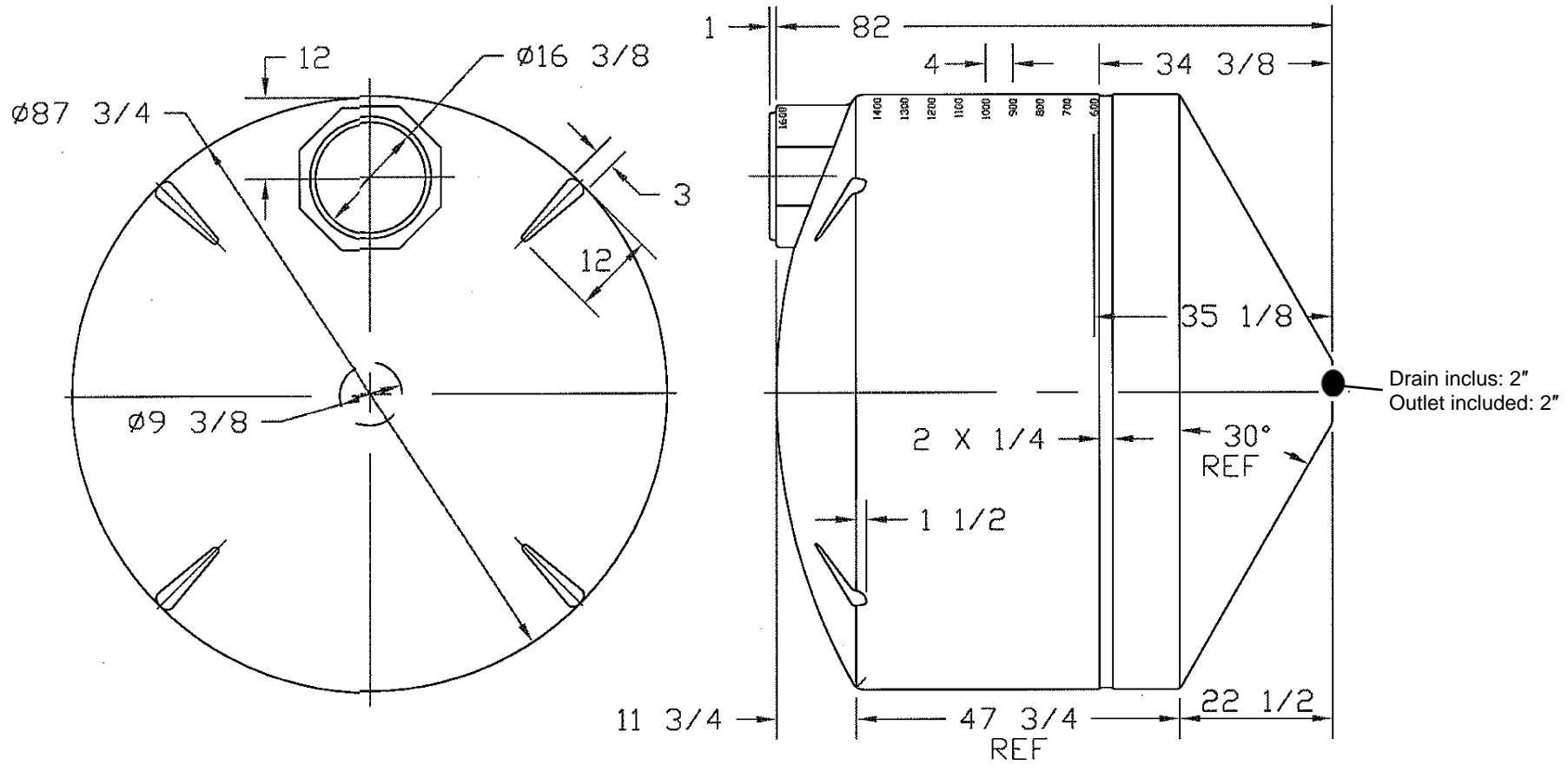


REVISIONS				
ZONE	REV	DESCRIPTION	DATE	APPROVED



CBN40813	AGRICO PLASTIQUES 450-471-2772			
	1600 GALLON CONE BOTTOM TANK			
JTP 13MAY97	SIZE A	FSCM NO.	DWG NO.	REV
SCALE 1/24			SHEET	