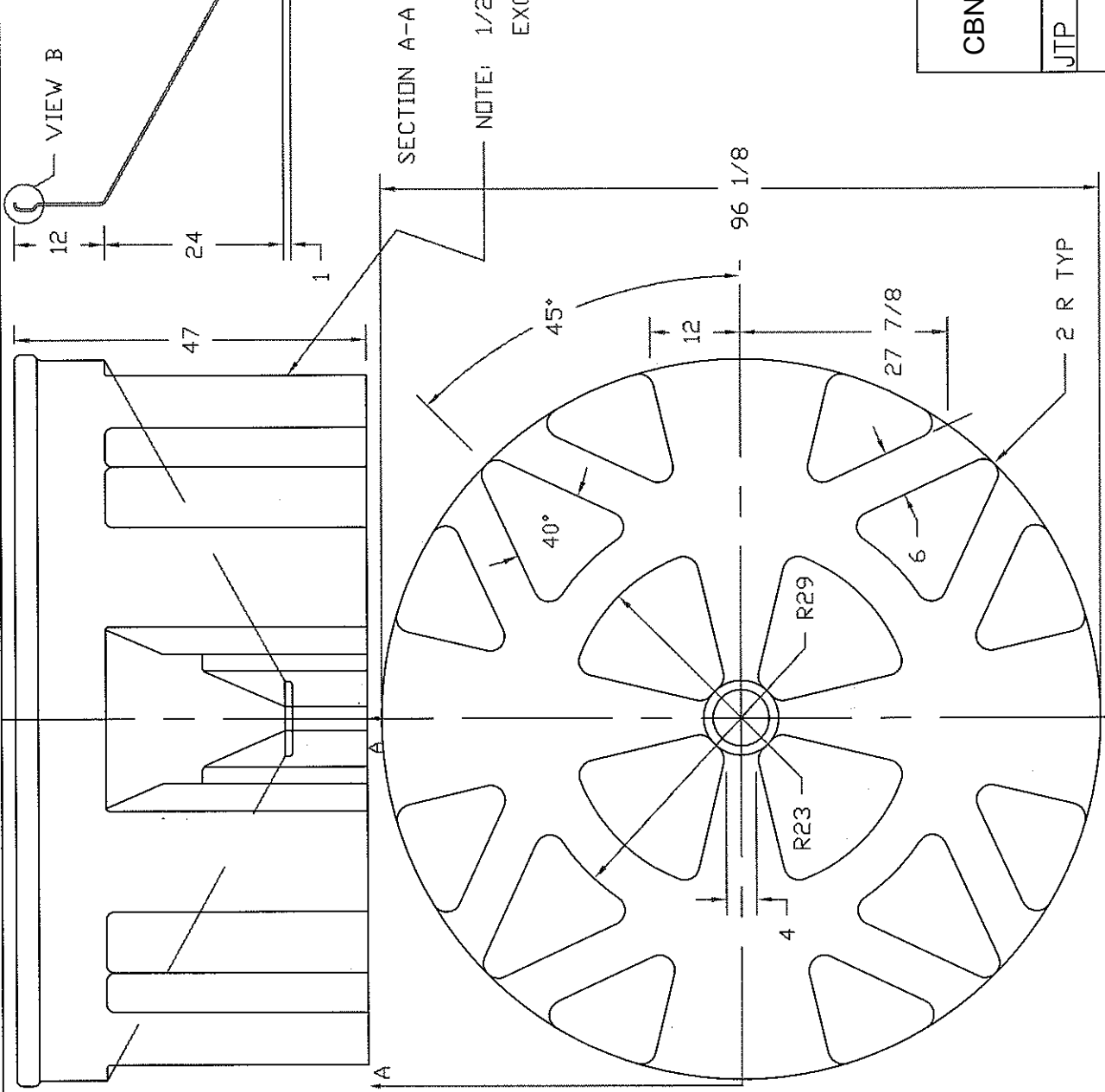


SUPPORT POUR RESERVOIR CONIQUE

REVISIONS				
ZONE	REV	DESCRIPTION	DATE	APPROVED
	A	REVISED & REDRAWN	03APR94	



CBN40672ST	AGRICO PLASTIQUES 450-471-2772		2500 & 3000 CONE	REV	A
	BOTTOM TANK STAND		SIZE	FSCM NO.	DWG NO.
JTP 03APR94	B				
SCALE 1/16			SHEET		