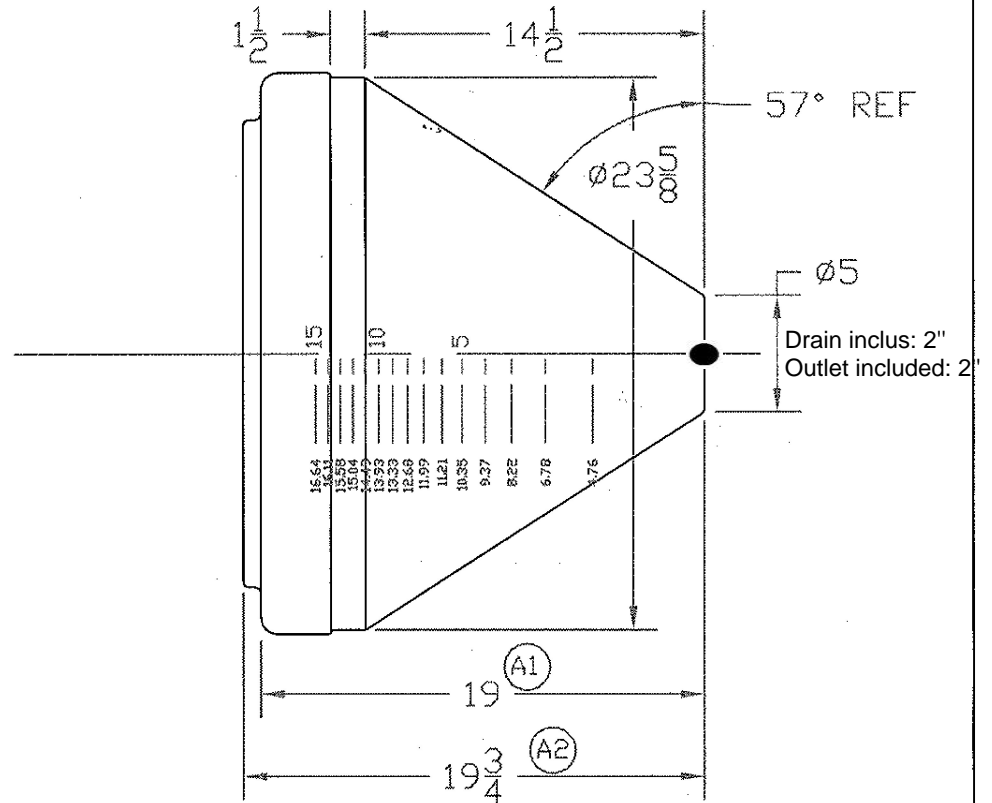
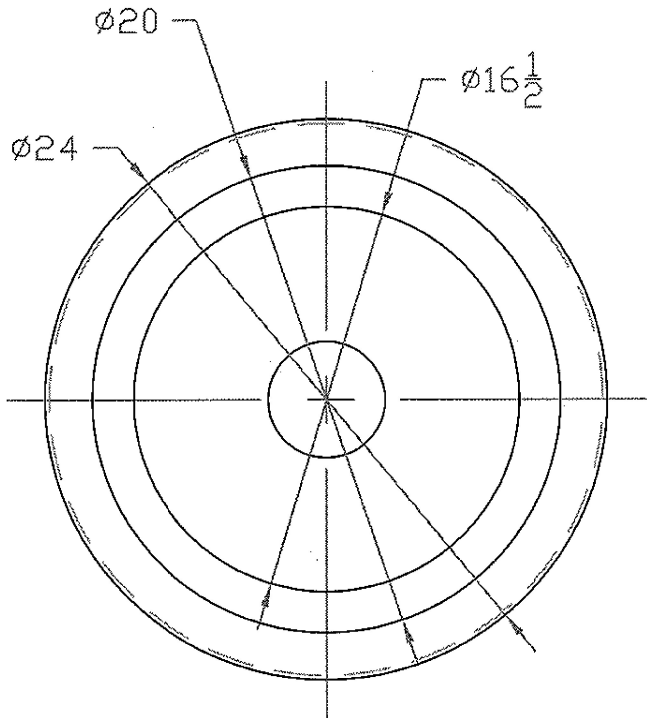


REVISIONS				
ZONE	REV	DESCRIPTION	DATE	APPROVED
	A	WAS ① 18 ② 18 3/4	11NOV04	



CBN42064

AGRICO-PLASTIQUES  
450-471-2772  
WWW.AGRICOPLASTIQUES.COM

15 GALLON INDUCTOR  
TANK x 24 DIA

JTP 21MAY04

SIZE A	FSCM NO.	DWG NO.	REV A
-----------	----------	---------	----------

SCALE 1/8

SHEET