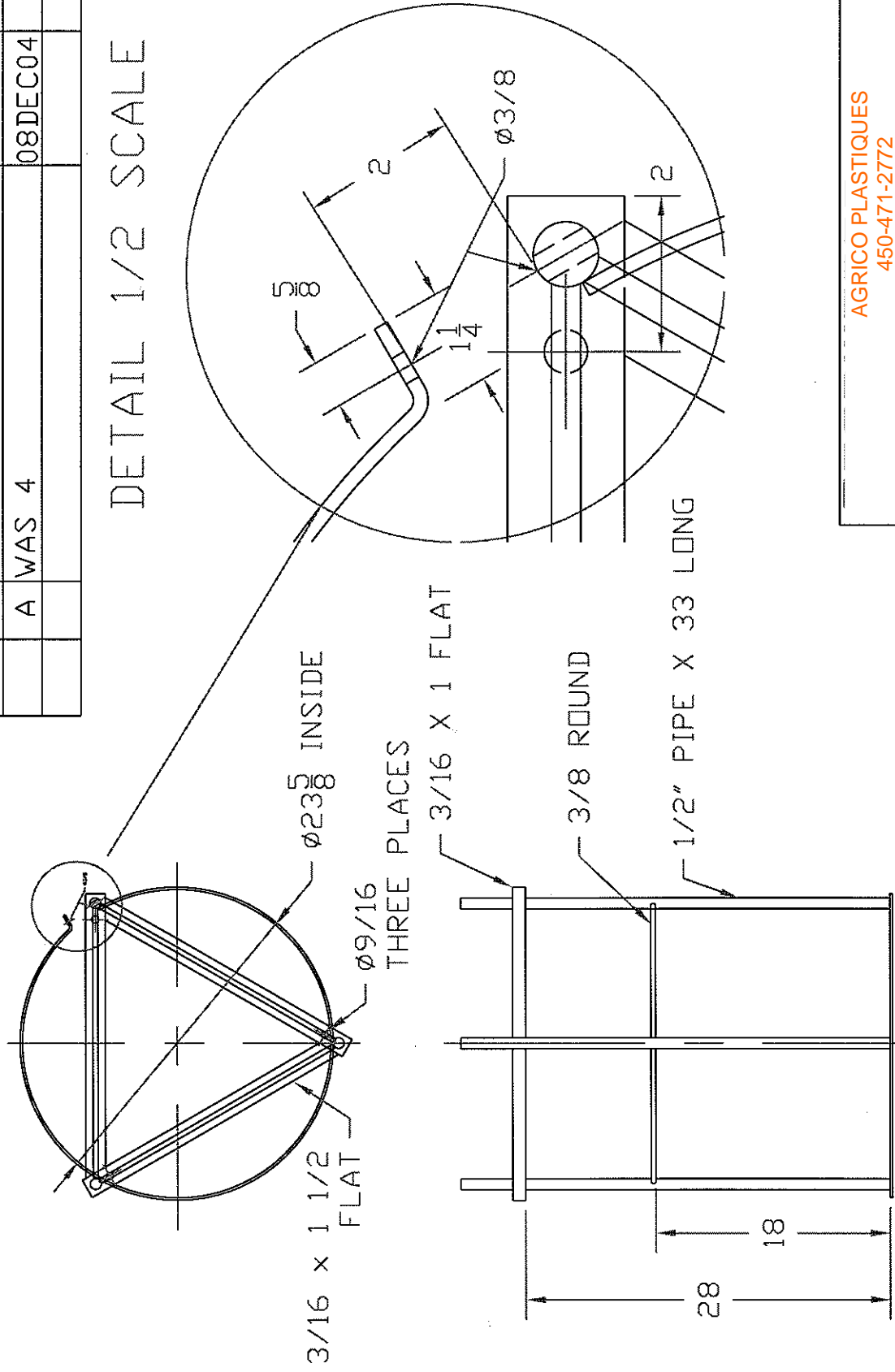


REVISIONS				
ZONE	REV	DESCRIPTION	DATE	APPROVED
	A	WAS 4	08DEC04	

DETAIL 1/2 SCALE



AGRICO PLASTIQUES
450-471-2772
WWW.AGRICO-PLASTIQUES.COM

INDUCTOR STAND
24 DIAMETER TANKS

JTP	14OCT04	SIZE	FSCM NO.	DWG NO.	REV
		A			A
SCALE 1/12				SHEET	

NOTE: ASSEMBLY INCLUDES 5/16 X 4-1/2 HHCS, LW & NUT
Ⓐ