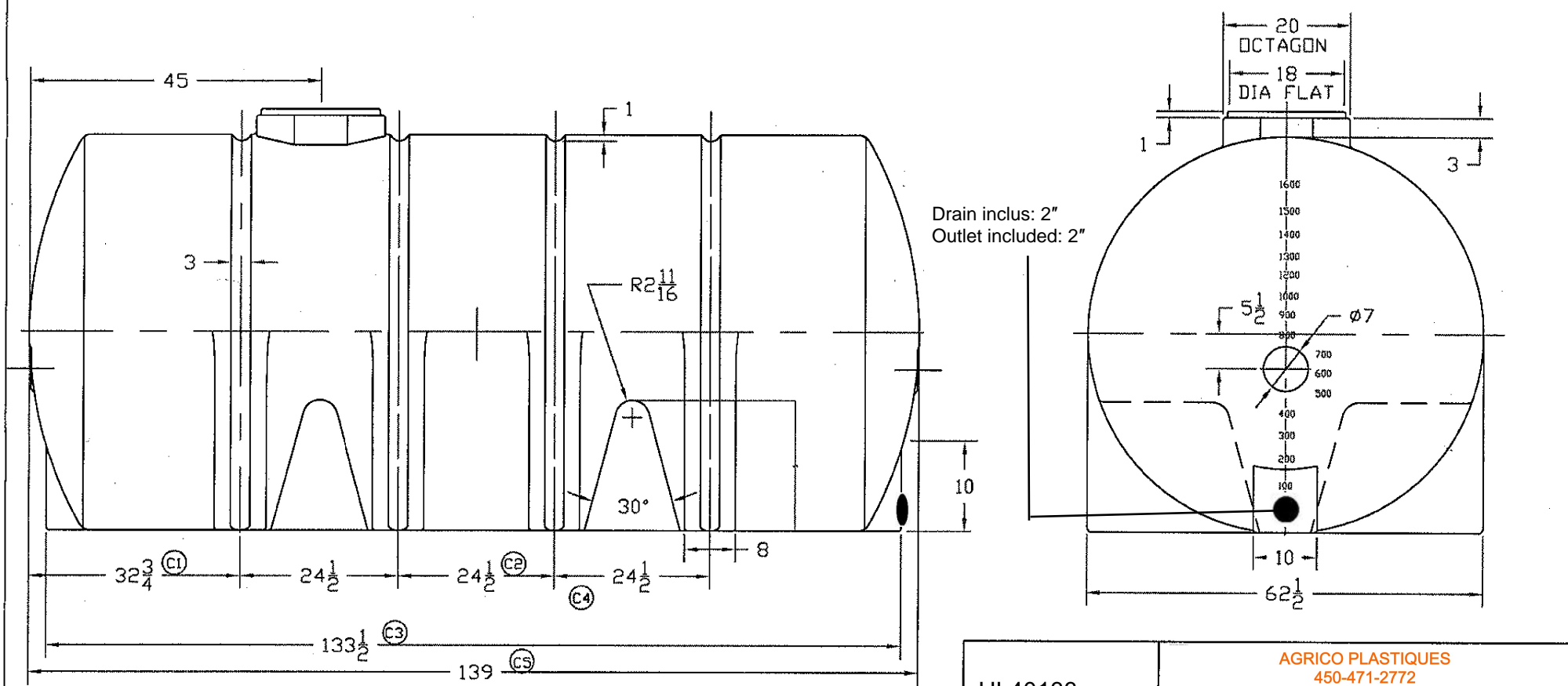


RESERVOIR HORIZONTAL AUTOPORTANT DE 1625 GALLONS US

WWW.AGRICOPLASTIQUES.COM

REVISIONS				
ZONE	REV	DESCRIPTION	DATE	APPROVED
	D	SPARGER FLATS REV'D.	17AUG04	

REVISIONS				
ZONE	REV	DESCRIPTION	DATE	APPROVED
	B	REDDRAWN	14AUG97	
	C	DIMS MATCHED TO PROD	23OCT01	
		WAS 1)32, 2)21,		
		3)129-1/4, 4)131, 5)134		



HL40133		AGRICO PLASTIQUES 450-471-2772		
		1625 GALLON HORIZONTAL LEG TANK		
JTP	14AUG97	SIZE B	FSCM NO.	DWG NO.
		SCALE 1/16	SHEET	