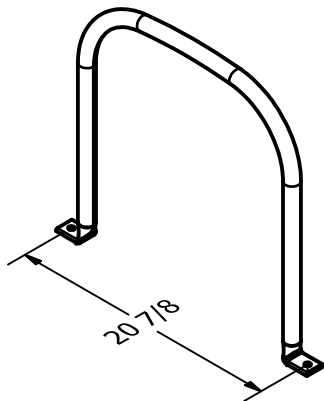


MAT'L: 1" ELECTRICAL METALLIC TUBING (EMT)



|                        |          |   |     |
|------------------------|----------|---|-----|
| DRAWN<br>Jerry Paulson | 7/9/2010 | <b>Agrico Plastiques Itée</b><br>www.agricoplastiques.com<br>450-471-2772 |     |
| CHECKED                |          | TITLE   |     |
| QA                     |          | HOOP, 150 GALLON FLAT BOTTOM UTILITY TANK                                 |     |
| MFG                    |          | SIZE  |     |
| APPROVED               |          | <b>AR63553</b>  |     |
|                        |          | SCALE: 1/8  | REV |
|                        |          | SHEET 1 OF 1  |     |