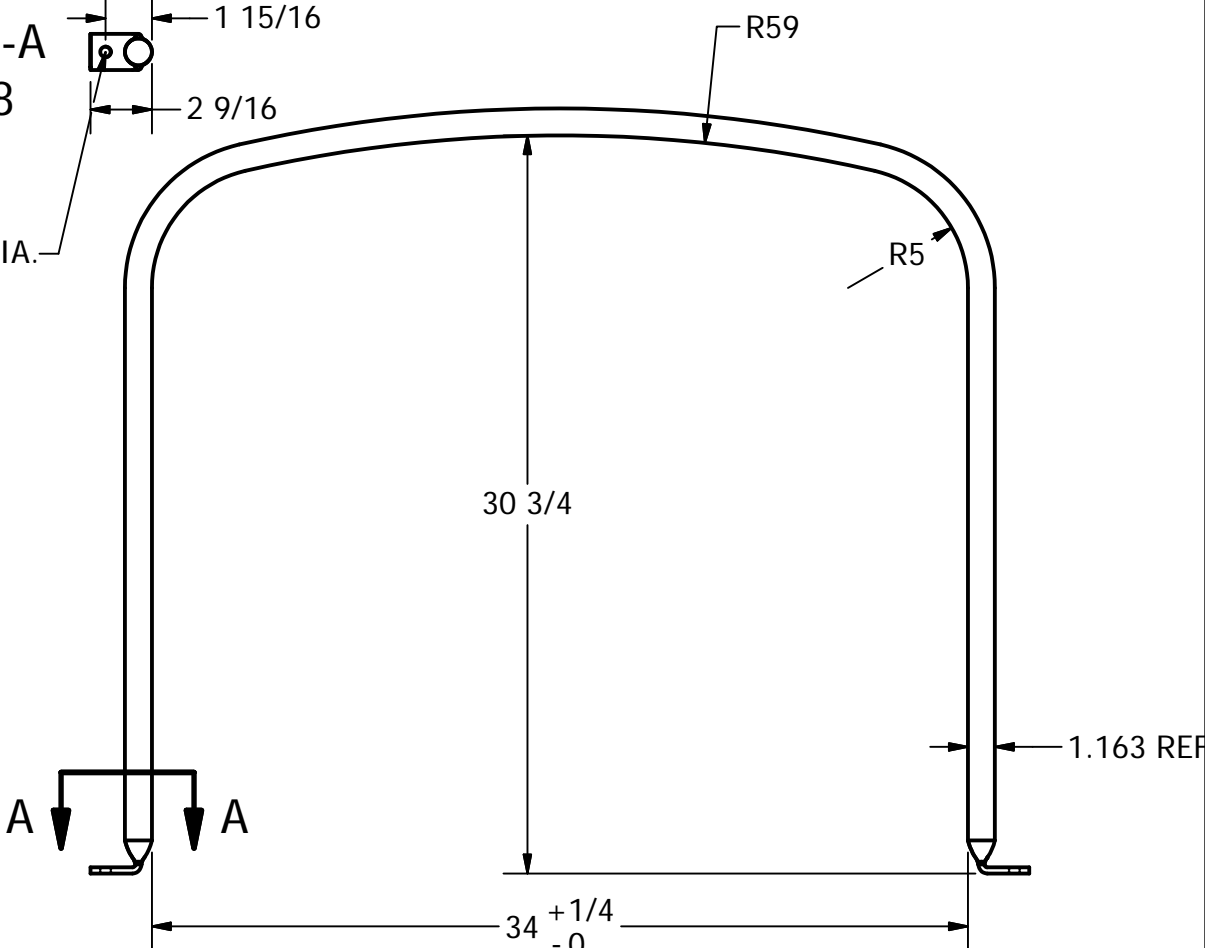
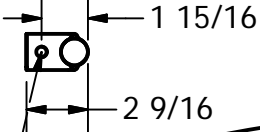
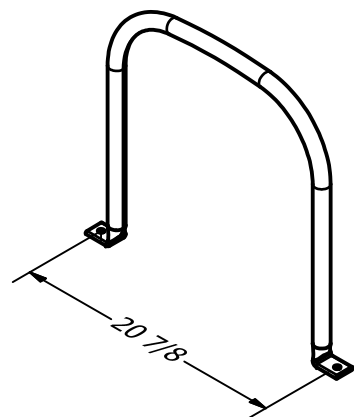


SECTION A-A  
SCALE 1/8

(2) HOLES, 7/16 DIA.



MAT'L: 1" ELECTRICAL METALLIC TUBING (EMT)



|                        |  |             |  |   |  |
|------------------------|--|-------------|--|---|--|
| DRAWN<br>Jerry Paulson |  | 7/9/2010    |  | <b>Agrico Plastiques ltée</b><br>www.agricoplastiques.com<br>450-471-2772 |  |
| CHECKED                |  |             |  |   |  |
| QA                     |  |             |  | TITLE   |  |
| MFG                    |  |             |  | HOOP, 200 GALLON FLAT BOTTOM UTILITY TANK                                 |  |
| APPROVED               |  |             |  | REV   |  |
|                        |  | SIZE<br>A   |  | AR63554   |  |
|                        |  | SCALE: 1/16 |  | SHEET 1 OF 1  |  |