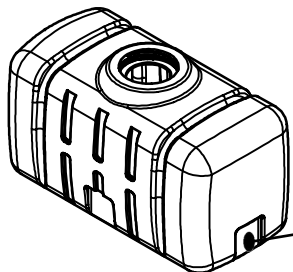
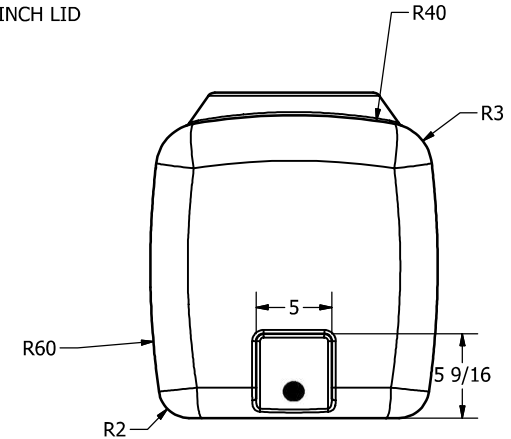
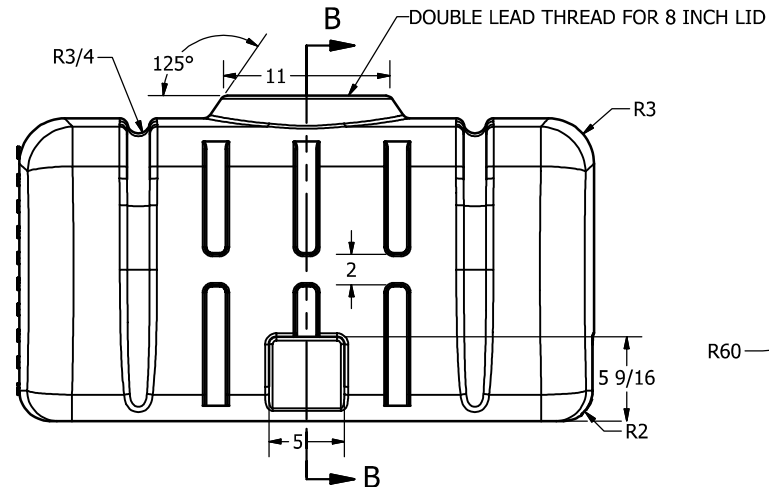
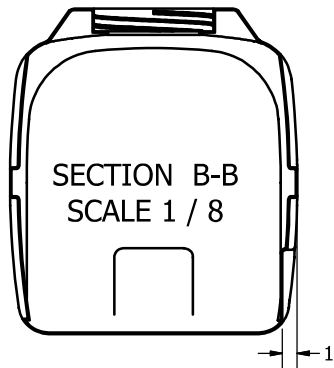
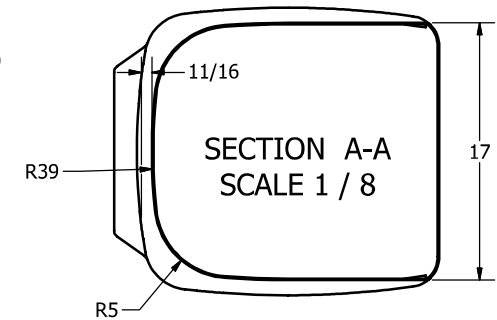
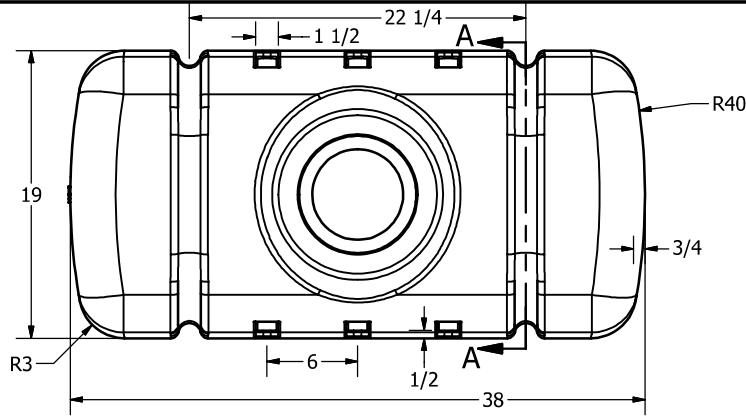
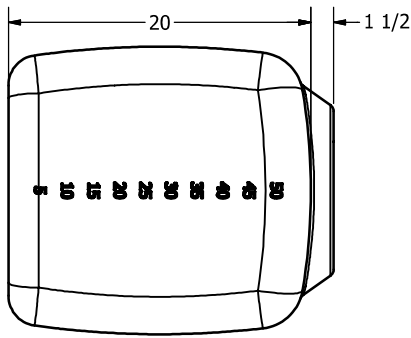


RESERVOIR RECTANGULAIRE FERME DE 50 GALLONS US

WWW.AGRICO PLASTIQUES.COM



Drain inclus: 1"  
Outlet included: 1"

DRAWN Jerry Paulson		4/14/2006		<b>AGRICO PLASTIQUES</b> <b>450-471-2772</b>	
CHECKED					
QA				50 GALLON FLAT BOTTOM UTILITY TANK	
MFG				REV	
APPROVED				DWG NO	
		SIZE		FB42341	
		B		REV	
		SCALE: 1/8		SHEET 1 OF 1	