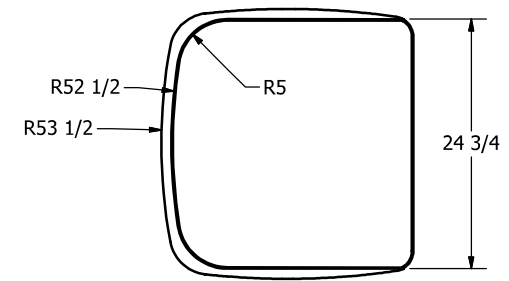
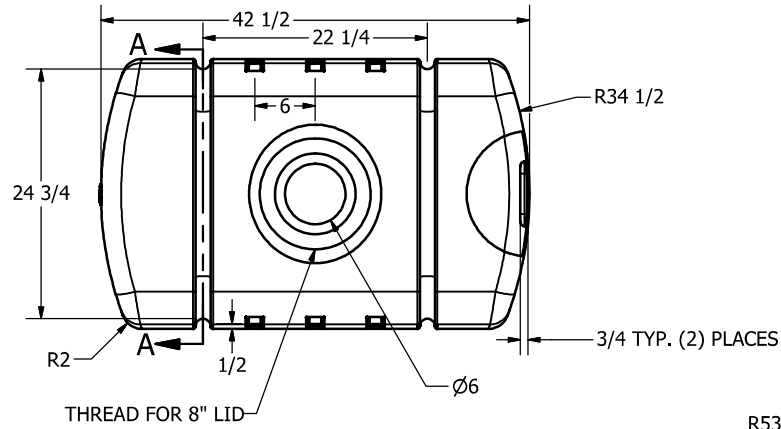


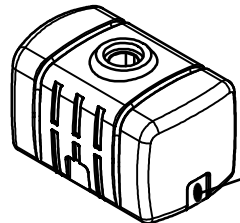
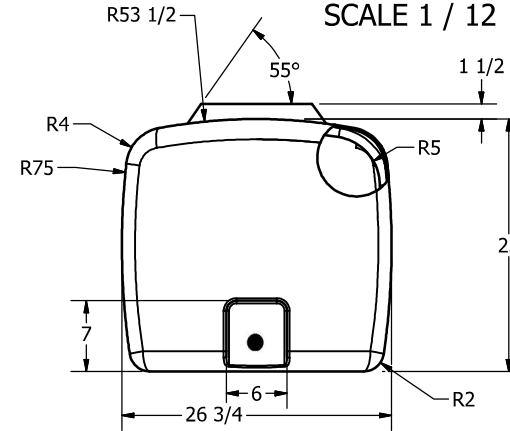
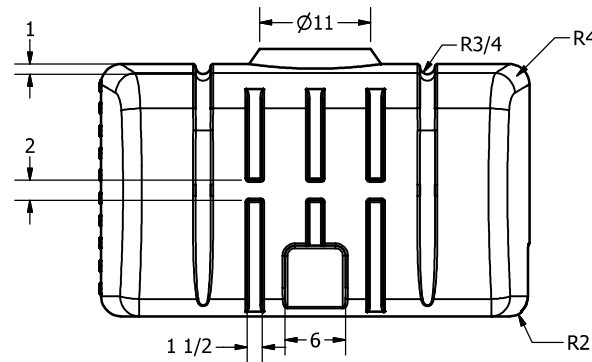
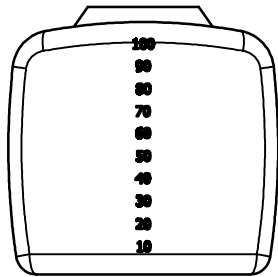
RESERVOIR RECTANGULAIRE FERME DE 100 GALLONS US

WWW.AGRICO PLASTIQUES.COM

REVISION HISTORY			
REV	DATE	AUTH	DESCRIPTION
		Jerry Paulson	



SECTION A-A
SCALE 1 / 12



Drain inclus: 1"
Outlet included: 1"

DRAWN Jerry Paulson	7/19/2006	AGRICO PLASTIQUES 450-471-2772	
CHECKED			
QA		TITLE	
MFG		100 GALLON FLAT BOTTOM UTILITY TANK	
APPROVED		SIZE B	DWG NO FB42343
		SCALE: 1/12	REV
			SHEET 1 OF 1