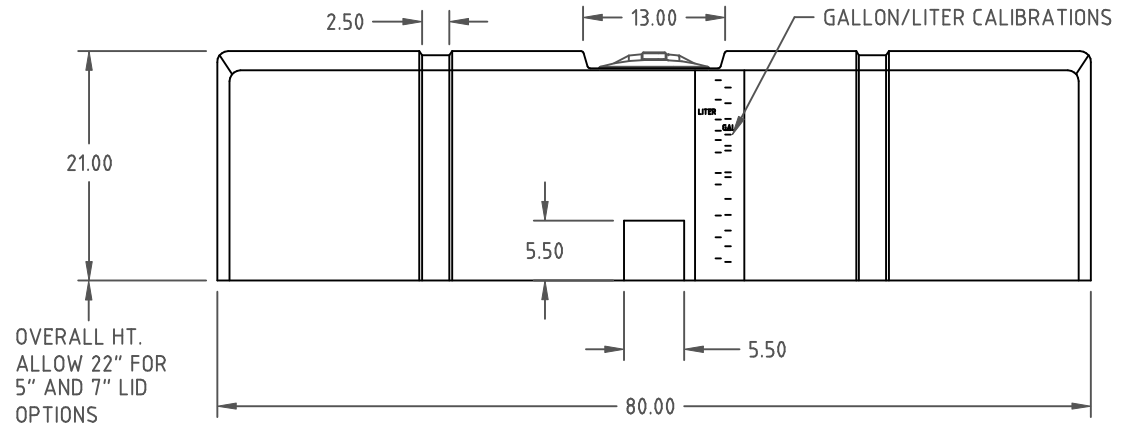
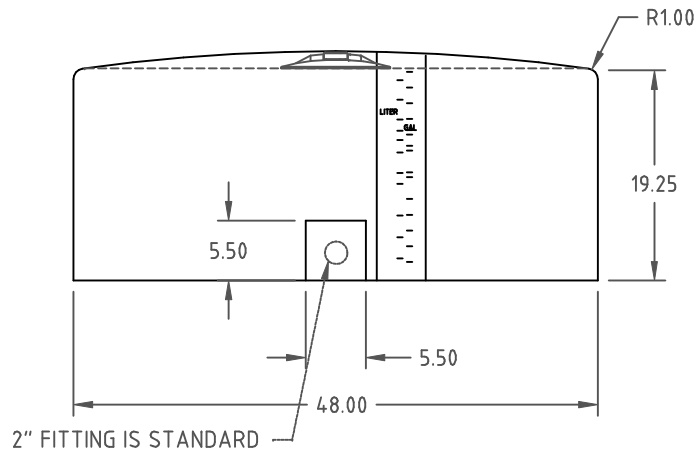
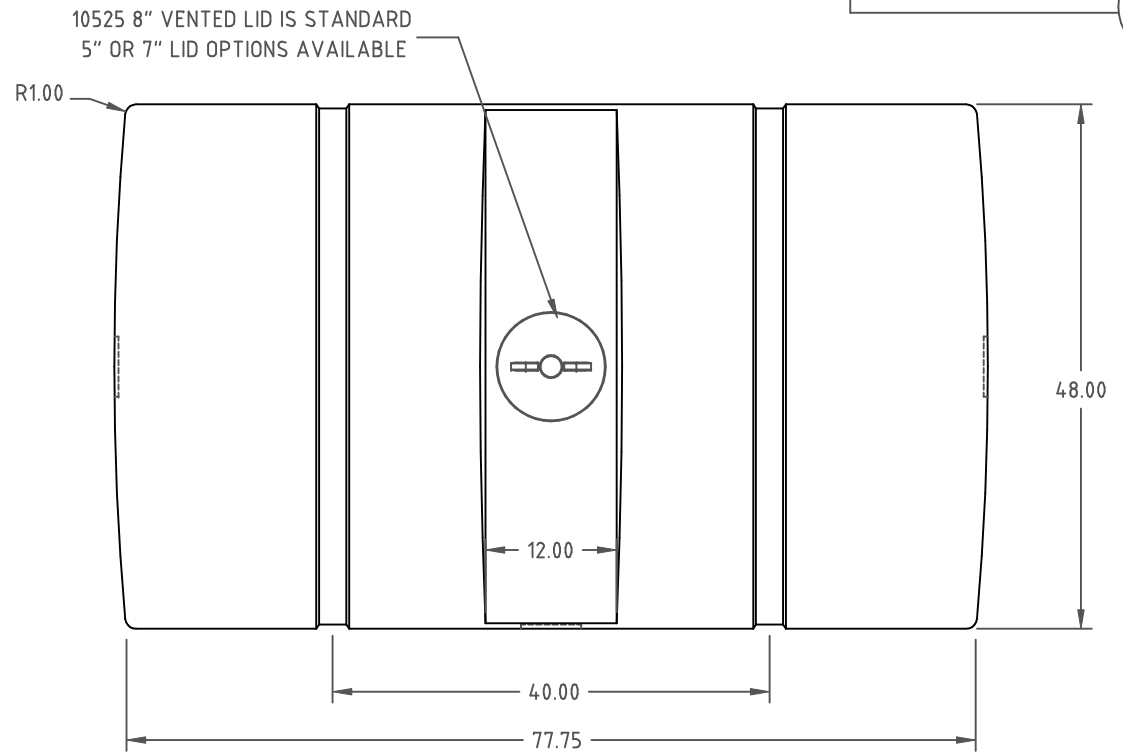


# LP0300RT

LP0300-RT



DRAWN / DATE DHJ 6/12/06		MATERIAL HDPE OR EQUIVALENT REFERENCE MATERIAL DATA SHEET FOR SPECIFIC PROPERTIES.	
APPRD. / DATE REH 10/11/10		NOTES: 1. NOM. WALL @ .310 2. NATURAL OR YELLOW COLOR	
REV	DESCRIPTION	BY / DATE	CCN
ALL DIMENSIONS ARE IN DECIMAL INCHES TOLERANCES UNLESS OTHERWISE SPECIFIED		THIRD ANGLE PROJECTION ANSI 14.5M	
POLYETHYLENE		SHOT WEIGHT: 133 LB.	
METAL DECIMAL ± .125" FRACTION ± 1/4" ANGLE ± 1°		SHIPPING WEIGHT: 135 LB.	
±1% @ 68° F		FINISH:	

**AGRICO PLASTIQUES**  
450-471-2772  
[WWW.AGRICO-PLASTIQUES.COM](http://WWW.AGRICO-PLASTIQUES.COM)

**RÉSERVOIR À PROFIL BAS DE 300 GALLONS US**  
**300 US GALLONS LOW PROFILE TANK**

SCALE: N.S. PART NO. LP0300-RT