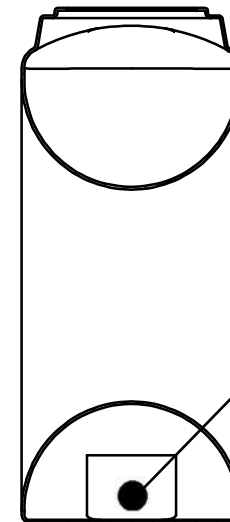
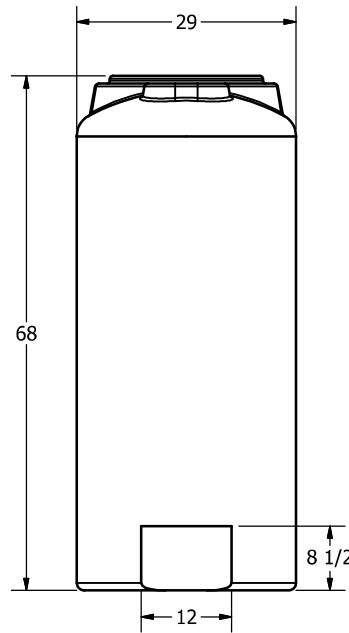
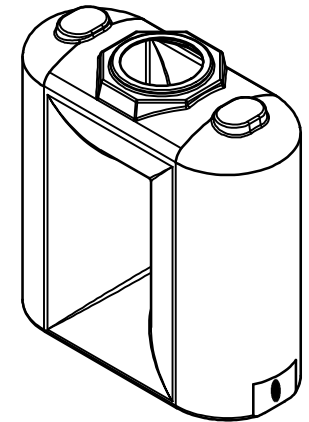


SECTION B-B
SCALE 1/16



Drain inclus: 1-1/4"
Outlet included: 1-1/4"

SECTION A-A
SCALE 1/16



DRAWN Jerry Paulson	4/14/2011	AGRICO PLASTIQUES 450-471-2772	
CHECKED			
QA		TITLE	
MFG		400 GALLON FREE STANDING WATER TANK	
APPROVED		SIZE B	DWG NO UP43856
		SCALE: 1/16	REV
		SHEET 1 OF 1	