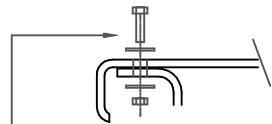
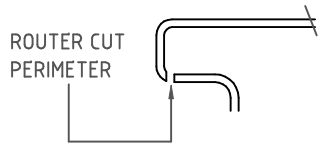
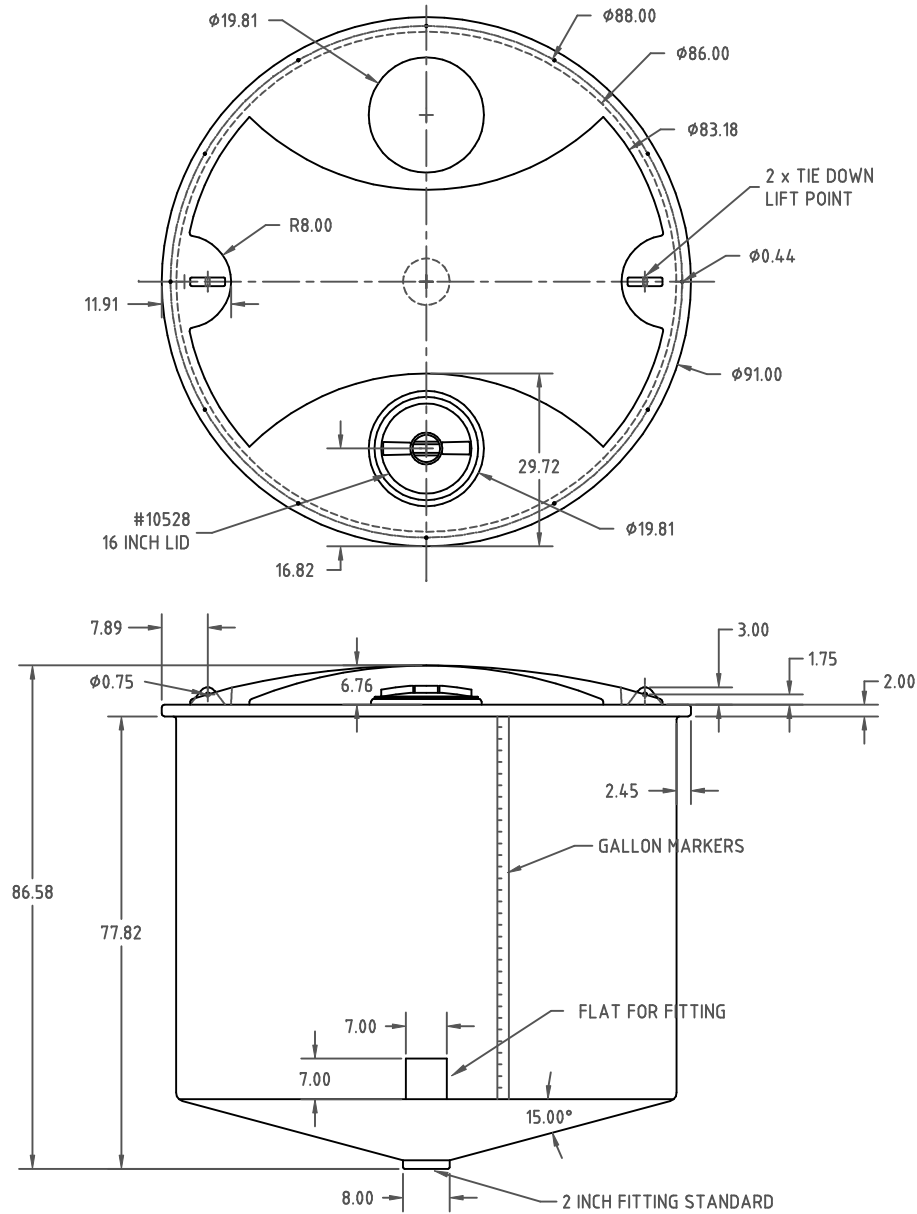


LID TRIM AND FASTENING DETAIL



3/8" X 1-1/2" HEX BOLT, 3/8"  
FLATWASHERS AND HEX NUT  
12 PLACES



				DRAWN / DATE DHJ 4/27/11	MATERIAL 104-20	<b>AGRICO PLASTIQUES</b> 450-471-2772 <a href="http://WWW.AGRICOPLASTIQUES.COM">WWW.AGRICOPLASTIQUES.COM</a>
				APPRD. / DATE REH 5/10/11		
REV	DESCRIPTION	BY / DATE	CCN	SHOT WEIGHT: 284 LBS.	NOTES: 1. .290 THICK AT BOTTOM SIDE WALL	
	ALL DIMENSIONS ARE IN DECIMAL INCHES TOLERANCES UNLESS OTHERWISE SPECIFIED <b>POLYETHYLENE</b>			SHIPPING WEIGHT: 286 LBS.		SCALE N.S.
	METAL DECIMAL ± .125" FRACTION ± 1/4" ANGLE ± 1°	THIRD ANGLE PROJECTION ANSI 14.5M 		FINISH:		