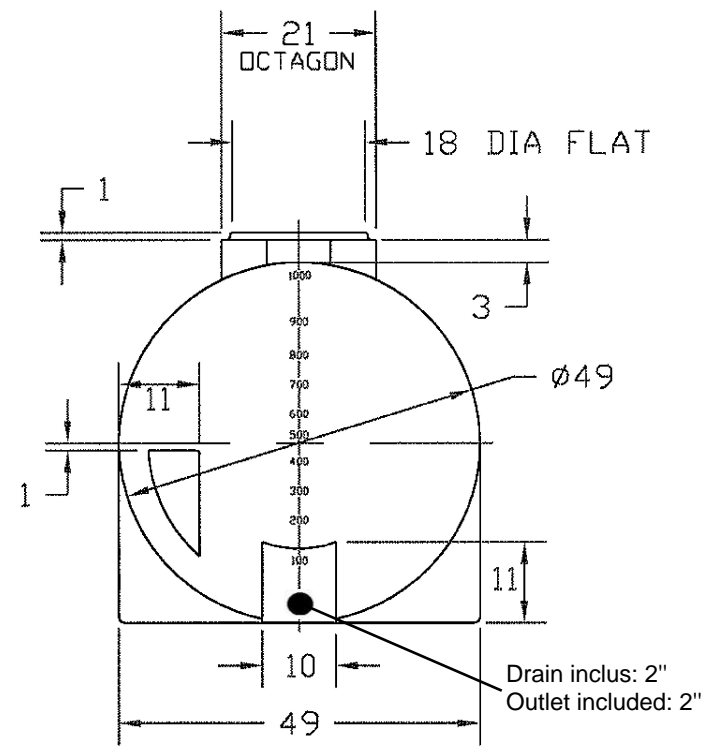
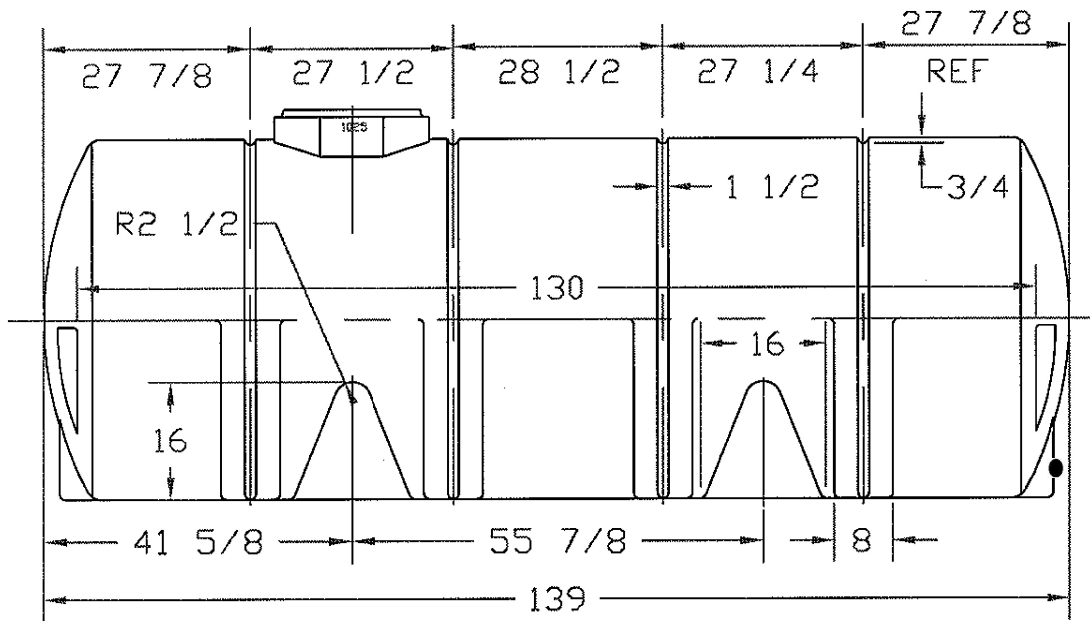


REVISIONS				
ZONE	REV	DESCRIPTION	DATE	APPROVED
	C	REDRAWN	06MAY97	



HL40131		AGRICO PLASTIQUES 450-471-2772		
		1025 GALLON HORIZONTAL STORAGE TANK		
JTP	06MAY97	SIZE A	FSCM NO.	DWG NO.
		SCALE 1/24	SHEET	

Drain inclus: 2"
Outlet included: 2"