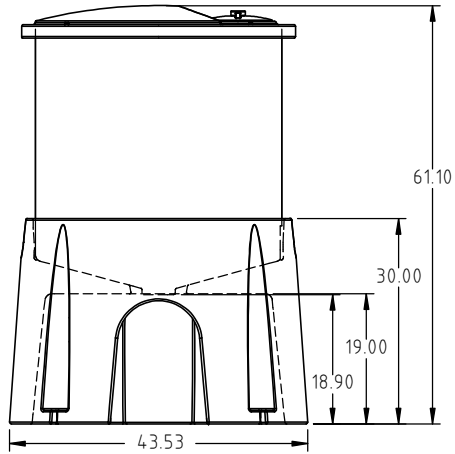


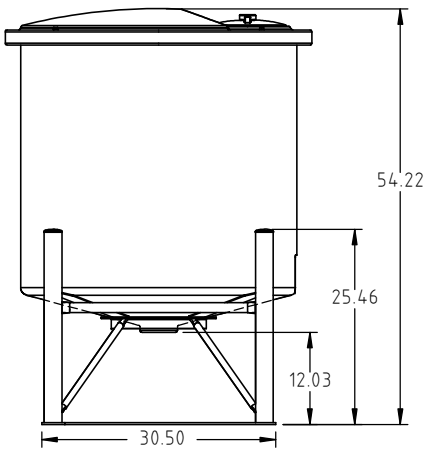
RÉSERVOIR CONIQUE OUVERT DE
145 GALLONS US

OC14536

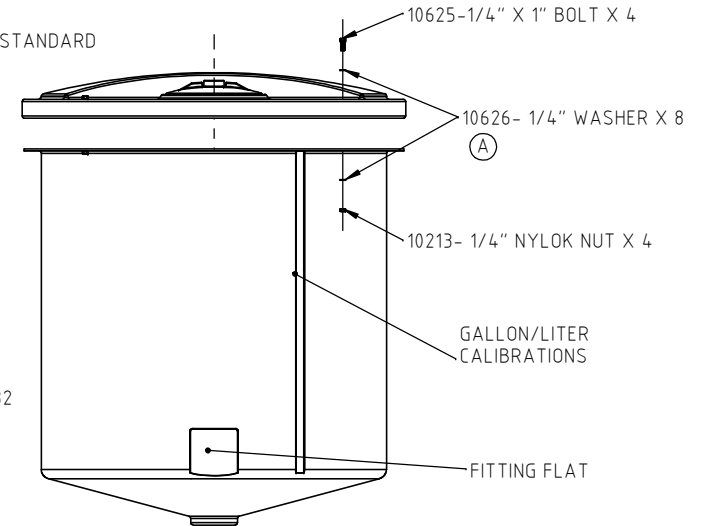
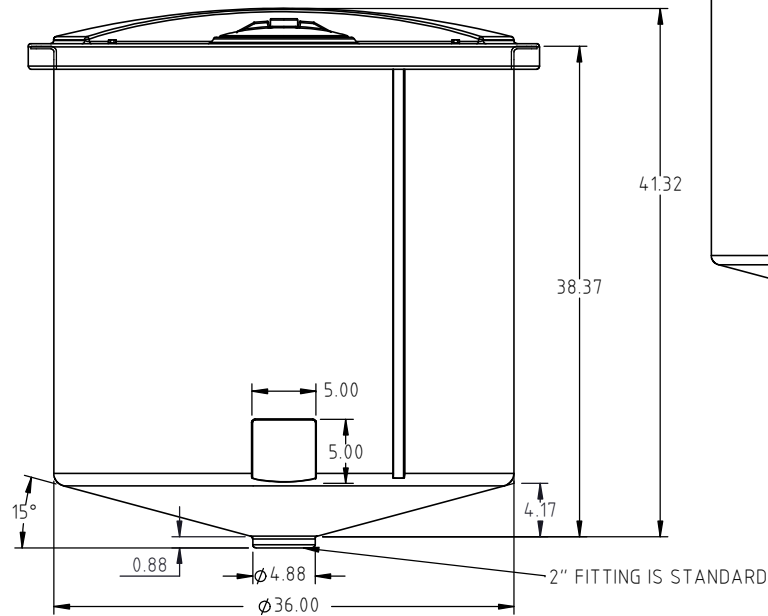
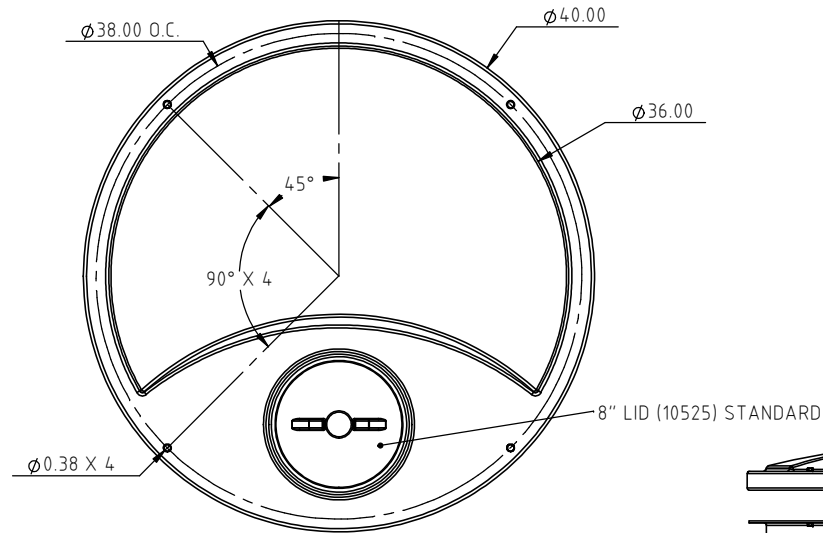
A



OC036-STP POLY STAND



CB036-15ST METAL STAND



				DRAWN / DATE ADH 2/11/11	MATERIAL 10420
A	10626 WAS SJ10067	ADH 10/26/11	2311	APPRD. / DATE REH 4/18/11	
REV	DESCRIPTION	BY / DATE	CCN		
ALL DIMENSIONS ARE IN DECIMAL INCHES TOLERANCES UNLESS OTHERWISE SPECIFIED		THIRD ANGLE PROJECTION ANSI 14.5M		SHOT WEIGHT: 50.00 LBS	NOTES: 1.) 0.20 WALL THICKNESS
POLYETHYLENE		METAL DECIMAL ± .125" FRACTION ± 1/4" ANGLE ± 1°		SHIPPING WEIGHT: 52.00 LBS	
±1% @ 68°F				FINISH:	

AGRICO PLASTIQUES
450-471-2772
WWW.AGRICOPLASTIQUES.COM

DESCRIPTION 36" DIA. X 145 GALLON CONE BOTTOM- OPEN TOP	
SCALE N.S.	PART NO. OC14536