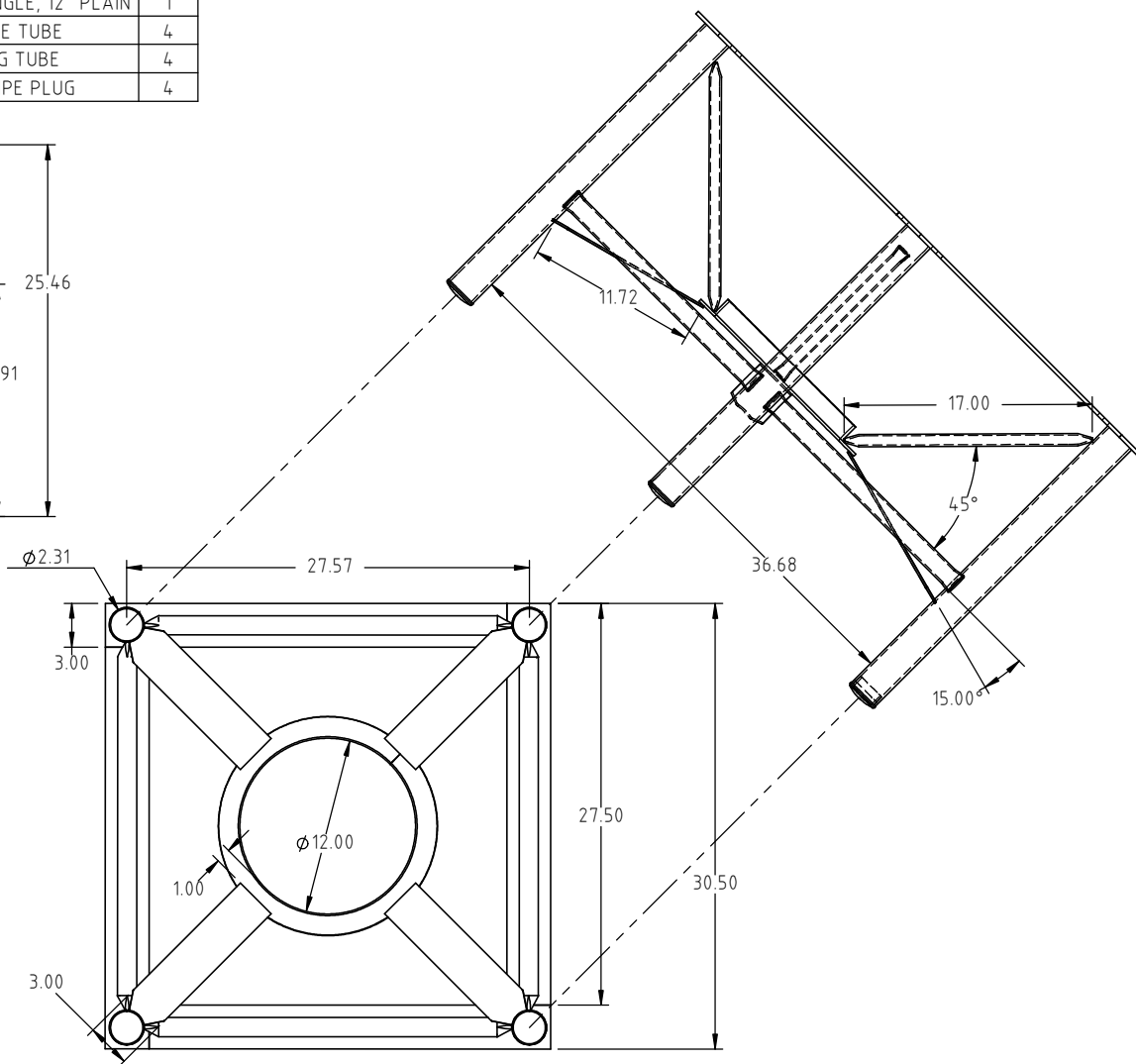
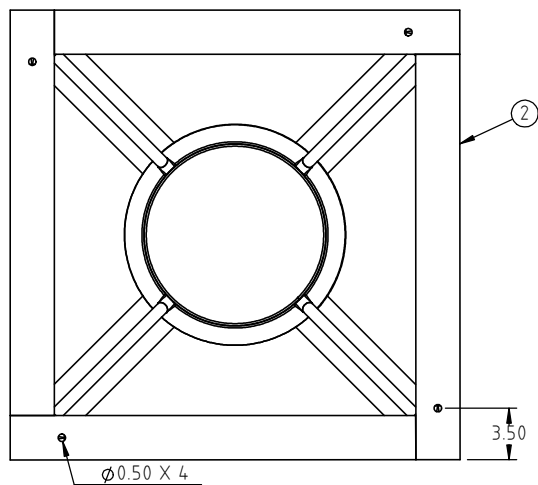
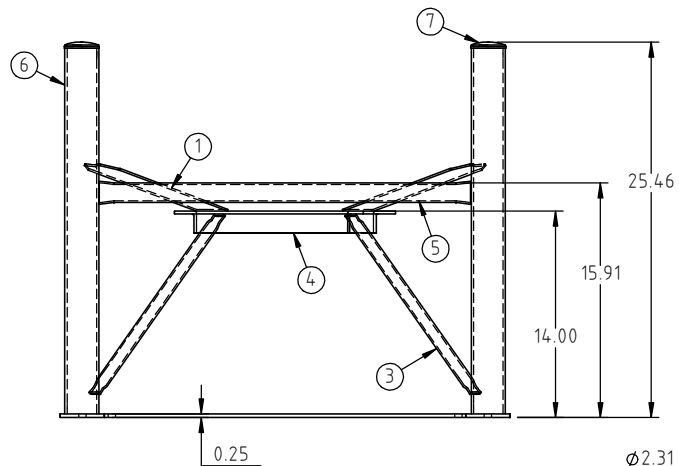


SUPPORT POUR RÉSERVOIR CONIQUE

CB03615ST

KEY	PART NUMBER	DESCRIPTION	QTY.
1	CB036-45ST-1	TANK SUPPORT STRAP	4
2	CB036-15ST-2	BASE STRAP	4
3	CB036-45ST-3	LOW SUPPORT	4
4	RAR-12	ROLLED ANGLE, 12" PLAIN	1
5	CB036-15ST-5	SIDE TUBE	4
6	CB036-15ST-6	LEG TUBE	4
7	12687	2" PIPE PLUG	4



REV	DESCRIPTION	BY / DATE	CCN

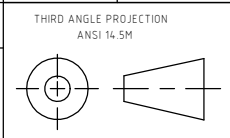
DRAWN / DATE ADH 2/2/11	MATERIAL
APPRD. / DATE REH 4/18/11	

<p>AGRICO PLASTIQUES 450-471-2772 WWW.AGRICOPLASTIQUES.COM</p>	
DESCRIPTION STAND FOR 15° X Ø36.00". CONE BOTTOM TANK	
SCALE N.S.	PART NO. CB03615ST

ALL DIMENSIONS ARE IN DECIMAL INCHES
TOLERANCES UNLESS OTHERWISE SPECIFIED

POLYETHYLENE METAL
DECIMAL ± .125"
FRACTION ± 1/4"
ANGLE ± 1°

±1% @ 68°F



SHOT WEIGHT:	NOTES:
SHIPPING WEIGHT: 84 LBS	
FINISH: POWDER COATING, BLACK TILE, 40012	